

MODEL SR510 LOCK-IN AMPLIFIER



1290-D Reamwood Avenue
Sunnyvale, CA 94089 U.S.A.
Phone: (408) 744-9040 • Fax: (408) 744-9049
Email: info@thinkSRS.com • www.thinkSRS.com

Copyright © 1985, 1987, 1989, 2003, 2013
Stanford Research Systems, Inc.
All Rights Reserved
Revision: 3.4 (11/2013)

TABLE OF CONTENTS

| | | | |
|---------------------------------------|----|------------------------------------|----|
| Condensed Information | | | |
| SAFETY and Preparation for use | 1 | RS232 Interface | |
| Symbols | 2 | Introduction to the RS232 | 21 |
| Specifications | 3 | Data Communications Equipment | 22 |
| Front Panel Summary | 5 | Wait Command | 22 |
| Abridged Command List | 6 | Termination Sequence | 22 |
| Status Byte Definition | 7 | | |
| Configuration Switches | 7 | GPIB (IEEE-488) Interface | |
| | | Introduction to the GPIB | 22 |
| Guide to Operation | | GPIB Capabilities | 22 |
| Front Panel | 8 | Response to Special GPIB commands | 22 |
| Signal Inputs | 8 | Serial Polls and SRQ's | 23 |
| Signal Filters | 8 | Echo Mode using the RS232 | 23 |
| Sensitivity | 8 | Using Both the RS232 & GPIB | 23 |
| Dynamic Reserve | 9 | | |
| Status Indicators | 9 | Lock-in Technique | |
| Display Select | 9 | Introduction to Lock-in Amplifiers | 24 |
| Output | 9 | Measurement Example | 24 |
| Expand Function | 9 | Understanding the Specifications | 25 |
| Rel Function | 9 | Shielding and Ground Loops | 25 |
| Offset | 10 | Dynamic Reserve | 26 |
| Time Constants | 10 | Current Input | 26 |
| Noise Measurements | 10 | Auto-Tracking Bandpass Filter | 26 |
| Reference Input and Trigger Levels | 11 | Notch Filters | 27 |
| Phase Controls | 11 | Frequency Range | 27 |
| Power Switch | 12 | Noise Measurements | 27 |
| Local/Remote Operation | 12 | Output Filters | 27 |
| Default Settings | 12 | Ratio Capability | 27 |
| | | Computer Interface | 27 |
| Rear Panel | 13 | Internal Oscillator | 27 |
| AC Power | 13 | | |
| GPIB (IEEE-488) Connector | 13 | SR510 Block Diagram | |
| RS232 Interface | 13 | Block Diagram | 28 |
| Signal Monitor Output | 13 | Signal Channel | 29 |
| Pre-Amp Connector | 13 | Reference Channel | 29 |
| A/D Inputs and D/A Outputs | 13 | Phase-Sensitive Detector | 29 |
| Ratio Feature | 13 | DC Amplifier and System Gain | 29 |
| Internal Oscillator | 13 | Microprocessor System | 29 |
| | | | |
| Guide to Programming | | Circuit Description | |
| Communications | 15 | Introduction | 30 |
| Command Syntax | 15 | Signal Amplifier | 30 |
| Status LED's | 15 | Current Amplifier | 30 |
| RS232 Echo Feature | 16 | Notch Filters | 30 |
| Try-out with an ASCII Terminal | 16 | Bandpass Filter | 30 |
| | | Reference Oscillator | 31 |
| Command List | 17 | PSD, LP Filters and DC Amplifier | 31 |
| Status Byte | 20 | Analog Output | 31 |
| Errors | 20 | A/D's | 31 |
| Reset Command | 20 | D/A's | 32 |
| Trouble-Shooting Interface Problems | 21 | Expand | 32 |
| Common Hardware Problems | 21 | Front Panel | 32 |
| Common Software Problems | 21 | Microprocessor Control | 32 |

| | | | |
|--|----|--------------------------------------|----|
| RS232 Interface | 32 | Appendix C: GPIB | |
| GPIB Interface | 32 | Introduction to the GPIB | 41 |
| Power Supplies | 33 | Bus Description | 41 |
| Internal Oscillator | 33 | | |
| Calibration and Repair | | Appendix D: Program Examples | |
| Introduction | 34 | IBM PC, Microsoft Basic, via RS232 | 42 |
| Multiplier Adjustments | 34 | IBM PC, Microsoft Fortran, via RS232 | 43 |
| Amplifier and Filter Adjustments | 34 | IBM PC, Microsoft C, via RS232 | 45 |
| CMRR Adjustment | 34 | IBM PC, Microsoft Basic, via GPIB | 47 |
| Line Notch Filter Adjustment | 35 | HP-85, HP Basic, via HPIB | 49 |
| 2xLine Notch Filter Adjustment | 35 | | |
| Repairing Damaged Front-End | 35 | Documentation | |
| Appendix A: Noise Sources and Cures | | Part Numbering and Locations | 50 |
| Johnson Noise | 36 | Parts List, Main Assembly | 51 |
| '1/f' Noise | 36 | Parts List, Internal Oscillator | 65 |
| Noise Spectrum | 36 | Parts List, Miscellaneous | 66 |
| Capacitive Coupling | 37 | Parts List, Front Panel | 67 |
| Inductive Coupling | 37 | Schematic Diagrams | 71 |
| Ground Loops | 38 | | |
| Microphonics | 38 | | |
| Thermocouple Effect | 38 | | |
| Appendix B: RS232 | | | |
| Simplest Case Using the RS232 | 39 | | |
| Using Control Lines | 39 | | |
| Baud Rates | 39 | | |
| Stop Bits | 40 | | |
| Parity | 40 | | |
| Voltage Levels | 40 | | |
| 'Eavesdropping' | 40 | | |

Safety and Preparation for Use

*****CAUTION***:** This instrument may be damaged if operated with the LINE VOLTAGE SELECTOR set for the wrong applied ac input-source voltage or if the wrong fuse is installed.

LINE VOLTAGE SELECTION

The SR510 operates from a 100V, 120V, 220V, or 240V nominal ac power source having a line frequency of 50 or 60 Hz. Before connecting the power cord to a power source, verify that the LINE VOLTAGE SELECTOR card, located in the rear panel fuse holder, is set so that the correct ac input voltage value is visible.

Conversion to other ac input voltages requires a change in the fuse holder voltage card position and fuse value. Disconnect the power cord, open the fuse holder cover door and rotate the fuse-pull lever to remove the fuse. Remove the small printed circuit board and select the operating voltage by orienting the printed circuit board to position the desired voltage to be visible when pushed firmly into its slot. Rotate the fuse-pull lever back into its normal position and insert the correct fuse into the fuse holder.

LINE FUSE

Verify that the correct line fuse is installed before connecting the line cord. For 100V and 120V, use a 1 Amp fuse and for 220V and 240V, use a 1/2 Amp fuse.

LINE CORD

This instrument has a detachable, three-wire power cord with a three-contact plug for connection to both the power source and protective ground. The protective ground contact connects to the accessible metal parts of the instrument. To prevent electrical shock, always use a power source outlet that has a properly grounded protective-ground contact.






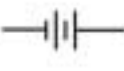



OPERATE WITH COVERS IN PLACE

To avoid personal injury, do not remove the product covers or panels. Do not operate the product without all covers and panels in place.

WARNING REGARDING USE WITH PHOTOMULTIPLIERS

It is relatively easy to damage the signal inputs if a photomultiplier is used improperly with the lock-in amplifier. When left completely unterminated, a PMT will charge a cable to a few hundred volts in a very short time. If this cable is connected to the lockin, the stored charge may damage the front-end transistors. To avoid this problem, provide a leakage path of about 100 K Ω to ground inside the base of the PMT to prevent charge accumulation.

Symbols you may find on SRS products.

| Symbol | Description |
|---|---|
|  | Alternating current |
|  | Caution - risk of electric shock |
|  | Frame or chassis terminal |
|  | Caution - refer to accompanying documents |
|  | Earth (ground) terminal |
|  | Battery |
|  | Fuse |
|  | On (supply) |
|  | Off (supply) |

SR510 Specification Summary

General

| | |
|------------|---|
| Power | 100, 120, 220, 240 VAC (50/60 Hz); 35 Watts Max |
| Mechanical | 17" x 17" x 3.5" (Rack Mount Included) 12 lbs. |
| Warranty | Two years parts and labor. |

Signal Channel

| | | |
|-----------------|--|--|
| Inputs | Voltage: | Single-ended or True Differential |
| | Current: | 10 ⁶ Volts/Amp |
| Impedance | Voltage: | 100 M Ω + 25 pF, ac coupled |
| | Current: | 1 k Ω to virtual ground |
| Full Scale | Voltage: | 100 nV (10 nV on expand) to 500 mV |
| Sensitivity | Current: | 100 fA to 0.5 μ A |
| Maximum Inputs | Voltage: | 100 VDC, 10 VAC damage threshold 2 VAC peak-to-peak saturation |
| | Current: | 10 μ A damage threshold 1 μ A ac peak-to-peak saturation |
| | Noise | Voltage: |
| Common Mode | Range: | 1 Volt peak; Rejection: 100 dB dc to 1KHz Above 1KHz the CMRR degrades by 6 dB/Octave |
| Gain Accuracy | 1% (2 Hz to 100KHz) | |
| Gain Stability | 200 ppm/ $^{\circ}$ C | |
| Signal Filters | 60 Hz notch, -50 dB (Q=10, adjustable from 45 to 65 Hz) | |
| | 120 Hz notch, -50 dB (Q=10, adjustable from 100 to 130 Hz)) | |
| | Tracking bandpass set to within 1% of ref freq (Q=5) | |
| Dynamic Reserve | 20 dB | LOW (1 μ V to 500 mV sensitivity) |
| | 40 dB | NORM (100 nV to 50 mV sensitivity) |
| | 60 dB | HIGH (100 nV to 5 mV sensitivity) |
| | Bandpass filter adds 20 dB to dynamic reserve Line Notch filters increase dynamic reserve to 100 dB | |

Reference Channel

| | |
|-----------------|--|
| Frequency | 0.5 Hz to 100 kHz |
| Input Impedance | 1 M Ω , ac coupled |
| Trigger | SINE: 100 mV minimum, 1Vrms nominal |
| | PULSE: \pm 1 Volt, 1 μ sec minimum width |
| Mode | Fundamental (f) or 2nd Harmonic (2f) |

| | |
|------------------|---|
| Acquisition Time | 25 Sec at 1 Hz 6 Sec at 10 Hz 2 Sec at 10 kHz |
| Slew Rate | 1 decade per 10 S at 1 kHz |
| Phase Control | 90° shifts Fine shifts in 0.025° steps |
| Phase Noise | 0.01° rms at 1 kHz, 100 msec, 12 dB TC |
| Phase Drift | 0.1°/°C |
| Phase Error | Less than 1° above 10Hz |

Demodulator

| | |
|----------------|--|
| Stability | 5 ppm/°C on LOW dynamic reserve 50 ppm/°C on NORM dynamic reserve 500 ppm/°C on HIGH dynamic reserve |
| Time Constants | Pre: 1msec to 100 sec (6 dB/Octave) Post: 1sec, 0.1 sec, none (6 dB/Octave) or none |
| Offset | Up to 1X full scale (10X on expand) |
| Harmonic Rej | -55 dB (bandpass filter in) |

Outputs & Interfaces

| | |
|---------------------|--|
| Outputs | X (RcosØ), X Offset, Noise |
| Output Meter | 2% Precision mirrored analog meter |
| Output LCD | Four digit auto-ranging LCD display shows same values as the analog meters |
| Output BNC | ±10 V output corresponds to full scale input <1Ω output impedance |
| Reference LCD | Four digit LCD display for reference phase shift or frequency |
| RS232 | Interface controls all functions. Baud rates from 300 to 19.2 K |
| GPIB | Interface controls all functions. (IEEE-488 Std) |
| A/D | 4 BNC inputs with 13 bit resolution (±10.24 V) |
| D/A | 2 BNC outputs with 13 bit resolution (±10.24 V) |
| Ratio | Ratio output equals 10X output divided by the Denominator input. |
| Internal Oscillator | Range: 1 Hz to 100 kHz, 1% accuracy Stability: 150 ppm/°C Distortion: 2% THD Amplitude: 1% accuracy, 500 ppm/°C stability |

Front Panel Summary

| | | | | |
|-------------------|--|--|------------------|---------------------------|
| Signal Inputs | Single Ended (A), True Differential (A-B), or Current (I) | | | |
| Signal Filters | Bandpass: | Q-of-5 Auto-tracking filter (In or Out) | | |
| | Line Notch: | Q-of-10 Notch Filter at line frequency (In or Out) | | |
| | 2XLine Notch: | Q-of-10 Notch Filter at twice line frequency (In or Out) | | |
| Sensitivity | Full scale sensitivity from 100 nV to 500 mV RMS for voltage inputs or from 100 fA to 500 nA RMS for current inputs. | | | |
| Dynamic Reserve | <u>Select</u> | <u>Dynamic Reserve</u> | <u>Stability</u> | <u>Sensitivity Ranges</u> |
| | LOW | 20 dB | 5 ppm | 1 μ V to 500 mV |
| | NORM | 40 dB | 50 ppm | 100 nV to 50 mV |
| | HIGH | 60 dB | 500 ppm | 100 nV to 5 mV |
| Status Indicators | OVLD | Signal Overload | | |
| | UNLK | PLL is not locked to the reference input | | |
| | ERR | Illegal or Unrecognized command | | |
| | ACT | RS232 or GPIB interface Activity | | |
| | REM | Remote mode: front panel has been locked-out | | |
| Display Select | X | Signal Amplitude at the selected phase (Acos \emptyset) | | |
| | OFST | Display the offset which is being added to the signal output | | |
| | NOISE | Compute and display the noise on the signal | | |
| Analog Meters | Displays Signal, Offset, or Noise as a fraction of full scale | | | |
| Output LCD's | Displays Signal, Offset, or Noise in absolute units | | | |
| Output BNC's | Output follows Analog Meter, ± 10 V for \pm full scale | | | |
| Expand | Multiplies the Analog Meter and Output voltage by a factor X1 or X10. | | | |
| REL | Set the Offset to null the output: subsequent readings are relative readings. | | | |
| Offset | Enables or Disables Offset, and allows any offset (up to full scale) to be entered. | | | |
| Time Constants | Pre-filter has time constants from 1 mS to 100 S (6 dB/Octave) Post-filter has time constants of 0, 0.1 or 1.0 S (6 dB/Octave) | | | |
| ENBW | Equivalent Noise Bandwidth. Specifies the bandwidth when making Noise measurements. (1Hz or 10 Hz ENBW) | | | |
| Reference Input | 1 M Ω Input, 0.5 Hz to 100 KHz, 100 mV minimum | | | |
| Reference Trigger | Trigger on rising edge, zero crossing, or falling edge | | | |
| f/2f Mode | PLL can lock to either X1 or X2 of the reference input frequency | | | |
| Phase Controls | Adjust phase in smoothly accelerating 0.025 $^\circ$ steps, or by 90 $^\circ$ steps. Press both 90 $^\circ$ buttons to zero the phase. | | | |
| Reference LCD | Display reference phase setting or reference frequency | | | |
| Power Switch | Instrument settings from the last use are recalled on power-up | | | |

Abridged Command List

| | | | |
|----------|-------------------------------------|-------|--|
| A | Return the 'REL' Status | N | Return the ENBW setting |
| A0 | Turn the 'REL' off | N0 | Select 1 Hz ENBW |
| A1 | Turn the 'REL' on | N1 | Select 10 Hz ENBW |
| B | Return Bandpass Filter Status | O | Return Offset Status |
| B0 | Take out the Bandpass Filter | O0 | Turn off Offset |
| B1 | Put in the Bandpass Filter | O1,v | Turn on Offset, v = offset |
| C | Return the Reference LCD Status | P | Return the Phase Setting |
| C0 | Display the Reference Frequency | Pv | Set the Phase to v. Abs(v) < 999 deg |
| C1 | Display the Reference Phase Shift | Q | Return the value shown on the Output LCD |
| D | Return Dynamic Reserve Setting | R | Return the trigger mode |
| D0 | Set DR to LOW range | R0 | Set the trigger for rising edge |
| D1 | Set DR to NORM range | R1 | Set the trigger for + zero crossing |
| D2 | Set DR to HIGH range | R2 | Set the trigger for falling edge |
| En | Return Expand Status | S | Return the display status |
| En,0 | Turn Expand off | S0 | Display X = AcosØ |
| En,1 | Turn Expand on | S1 | Display Offset setting |
| F | Return the Reference Frequency | S2 | Display Noise |
| G | Return the Sensitivity Setting | T1 | Return pre-filter setting |
| G1 | Select 10 nV Full-Scale | T1,1 | Set the pre-filter TC to 1 mS |
| ... | (G1-G3 with SRS preamp only) | ... | |
| G24 | Select 500 mV Full-Scale | T1,11 | Set the pre-filter TC to 100 S |
| H | Return Preamp Status (1=installed) | T2 | Return the post-filter setting |
| I | Return the Remote/Local Status | T2,0 | Remove post filter |
| I0 | Select Local: Front panel active | T2,1 | Set the post filter TC to 0.1 S |
| I1 | Select Remote: Front panel inactive | T2,2 | Set the post filter TC to 1.0 S |
| I2 | Select Remote with full lock-out | V | Return the value of the SRQ mask |
| J | Set RS232 End-of-Record to <cr> | Vn | Set the SRQ Mask to the value n (See the Status Byte definition) |
| Jn,m,o,p | Set End-of-record to n,m,o,p | W | Return the RS232 wait interval |
| K1 | Simulates Key-press of button #1 | Wn | Set RS232 wait interval to nX4mS |
| ... | (see un-abridged command list) | Xn | Return the voltage at the rear panel analog port n. (n from 1 to 6) |
| K32 | Simulates Key-press of button #32 | X5,v | Set analog port 5 to voltage v |
| L1 | Return Status of Line Notch Filter | X6,v | Set analog port 6 to voltage v |
| L1,0 | Remove Line Notch Filter | Y | Return the Status Byte value |
| L1,1 | Insert Line Notch Filter | Yn | Test bit n of the Status Byte |
| L2 | Return Status of 2XLine Filter | Z | Reset to default settings and cancel all pending command |
| L2,0 | Remove 2XLine Notch Filter | | |
| L2,1 | Insert 2XLine Notch Filter | | |
| M | Return the f/2f Status | | |
| M0 | Set reference mode to f | | |
| M1 | Set reference mode to 2f | | |

Status Byte Definition

Bit Meaning

- 0 Magnitude too small to calculate phase
- 1 Command Parameter is out-of-range
- 2 No detectable reference input
- 3 PLL is not locked to the reference
- 4 Signal Overload
- 5 Auto-offset failed: signal too large
- 6 SRQ generated
- 7 Unrecognized or illegal command

Configuration Switches

There are two banks of 8 switches, SW1 and SW2, located on the rear panel. SW1 sets the GPIB address and SW2 sets the RS232 parameters. The configuration switches are read continuously and any changes will be effective immediately.

SW1:GPIB Mode Switches

| Bit | Example | Function |
|----------|---------|--|
| 1 } up | | GPIB Address Switches Address 0 to 30 allowed 'up' for bit = 1 'down' for bit = 0 (Most Significant Bit) |
| 2 } up | | |
| 3 } up | | |
| 4 } down | | |
| 5 } up | | |
| 6 | down | 'down' to echo on RS232 (normally 'up') |
| 7 | up | Not Used |
| 8 | up | Not Used |

If the GPIB mode switches are set as shown in the example column above, then the lockin will be addressed as GPIB device #23, and all GPIB commands and data will be echoed over the RS232 for de-bugging purposes.

SW2:RS232 Mode Switches

| Bit 1 | Bit 2 | Bit 3 | Baud Rate |
|-------|-------|-------|-----------|
| up | up | up | 19200 |
| down | up | up | 9600 |
| up | down | up | 4800 |
| down | down | up | 2400 |
| up | up | down | 1200 |
| down | up | down | 600 |
| up | down | down | 300 |

| Bit | Setting | Explanation |
|-----|---------|--------------------------|
| 4 | up | Odd parity |
| | down | Even parity |
| 5 | up | No parity |
| | down | Parity enabled |
| 6 | up | No echo (for computer) |
| | down | Echo mode (for terminal) |
| 7 | up | Two stop bits |
| | down | One stop bit |
| 8 | | unused |

Eight data bits are always sent, regardless of the parity setting. The most significant bit is always zero.

Example: Bit 1 'down' and all others 'up' for RS232 communication at 9600 baud, no parity, two stop bits, and no echo or prompts by the SR510.

SR510 Guide to Operation

Front Panel

The front panel has been designed to be almost self-explanatory. The effect of each keypress is usually reflected in the change of a nearby LED indicator or by a change in the quantity shown on a digital display. This discussion explains each section of the front panel, proceeding left to right.

Signal Inputs

There are three input connectors located in the **SIGNAL INPUT** section of the front panel. The rocker switch located above the **B** input selects the input mode, either single-ended, **A**, differential, **A-B**, or current, **I**.

The **A** and **B** inputs are voltage inputs with 100 M Ω , 25 pF input impedance. Their connector shields are isolated from the chassis ground by 10 Ω . These inputs are protected to 100V dc but the ac input should never exceed 10V peak. The maximum ac input before overload is 1V peak.

The **I** input is a current input with an input impedance of 1 K Ω to a virtual ground. The largest allowable dc current before overload is 1 μ A. No current larger than 10 mA should ever be applied to this input. The conversion ratio is 10⁶ V/A, thus, the full scale current sensitivities range from 100 fA to 500 nA with a max ac input before overload of 1 μ A peak. You should use short cables when using the current input.

Signal Filters

There are three user selectable signal filters available; a line frequency notch, a 2X line frequency notch, and an auto-tracking bandpass. Each of the filters has a pair of indicator LED's and a function key located in the **SIGNAL FILTERS** section of the front panel. Pressing a key will toggle the status of the appropriate filter. The status of each filter is displayed as **IN**, filter active, or **OUT**, filter inactive.

The notch filters have a Q of 10 and a depth of at least 50 dB. Thus, the line frequency notch is 6 Hz wide and the 2X line notch has a width of 12 Hz. Both of these filters can increase the dynamic reserve up to 50 dB at the notch frequencies. The achievable reserve is limited by the maximum

allowable signals at the inputs. The notch frequencies are set at the factory to either 50 Hz or 60 Hz. The user can adjust these frequencies. (See the Maintenance and Repair section for alignment details.) These filters precede the bandpass filter in the signal amplifier.

The bandpass filter has a Q of 5 and a 6 dB roll off in either direction. Thus, the pass band (between 70% pass points) is always equal to 1/5th of the center frequency. The center frequency is continually adjusted to be equal to the internal demodulator frequency. When the reference mode is f, the filter tracks the reference. When the mode is 2f, the filter frequency is twice the reference input frequency. The center frequency tracks as fast as the reference oscillator can slew and may be used during frequency scans. The bandpass filter adds up to 20 dB of dynamic reserve for noise signals outside the pass band, and increases the harmonic rejection by at least 13dB. (2nd harmonic attenuated by 13 dB, higher harmonics attenuated 6dB/octave more.) If not needed to improve the dynamic reserve or the harmonic rejection then the filter should be left **OUT**.

Sensitivity

The sensitivity is displayed as a value (1-500) and a scale (nV, μ V, mV). When using the current input, which has a gain of 10⁶ V/A, these scales read fA, pA, and nA. The two keys in the **SENSITIVITY** section move the sensitivity up and down. If either key is held down, the sensitivity will continue to change in the desired direction four times a second.

The full scale sensitivity can range from 100 nV to 500 mV. The sensitivity indication is not changed by the **EXPAND** function. The **EXPAND** function increases the output sensitivity (Volts out /volts in) as well as the resolution of the digital output display.

Not all dynamic reserves are available at all sensitivities. If the sensitivity is changed to a setting for which the dynamic reserve is not allowed, the dynamic reserve will change to the next setting which is allowed. Sensitivity takes precedence over the dynamic reserve. The sensitivity range of each dynamic reserve is shown below.

| <u>Dynamic Reserve</u> | <u>Sensitivity Range</u> |
|------------------------|--------------------------|
| LOW | 1 μ V through 500 mV |
| NORM | 100 nV through 50 mV |
| HIGH | 100 nV through 5 mV |

Dynamic Reserve

The dynamic reserve (DR) is set using the keys in the **DYNAMIC RESERVE** section. The reserve is displayed by the three indicator LED's, **HIGH**, **NORM**, **LOW**. Only those dynamic reserve settings available for the sensitivity are allowed (see above table). For example, when the sensitivity is 500 mV, the DR will always be **LOW**.

The dynamic reserve and output stability of each setting are shown below.

| <u>Setting</u> | <u>Dynamic Reserve</u> | <u>Output Stability</u> (ppm/°C) |
|----------------|------------------------|-------------------------------------|
| LOW | 20 dB | 5 |
| NORM | 40 dB | 50 |
| HIGH | 60 dB | 500 |

Since a higher DR results in degraded output stability, you should use the lowest DR setting for which there is no overload indication. Note that using the Bandpass Filter provides about 20dB of additional DR and so allows you to operate with a lower DR setting.

Status

There are five STATUS LED's.

OVLD indicates a signal overload. This condition can occur when the signal is too large, the sensitivity is too high, the dynamic reserve is too low, the offset is on, the expand is on, the time constant is not large enough, or the ENBW is too large.

UNLK indicates that the reference oscillator is not phase locked to the external reference input. This can occur if the reference amplitude is too low, the frequency is out of range, or the trigger mode is incorrect for the reference signal waveform.

ERR flashes when an error occurs on one of the computer interfaces, such as an incorrect command, invalid parameter, etc.

ACT indicates activity on the computer interfaces. This LED blinks every time a character is received by the SR510 or transmitted by the SR510.

REM indicates that the unit is in the remote state and that the front panel controls are not operative. There are two remote states. The Remote-With-Lockout will not allow any inputs from the front panel. The Remote-Without-Lockout command allows you to return the front panel to operation by pressing the **DISPLAY UP** key.

Display Select

The keys in the **DISPLAY** section select the parameter to be displayed on the output meters and the output on the **OUTPUT BNC** connector. The displayed parameter is indicated by one of the three LED's and can be either the demodulator output (**X**), the offset (**OFST**), or the rms noise (**NOISE**). When displaying **NOISE**, the equivalent noise bandwidth (**ENBW**) is selected in the **TIME CONSTANT** section.

Output

The analog output is available at the **OUTPUT BNC**. The input signal equal to the selected full scale sensitivity will generate a ± 10 V output when the **EXPAND** function is off. With the **EXPAND** on, the output is multiplied by 10, effectively increasing the full scale sensitivity by 10. The output impedance is $< 1\Omega$ and the output current is limited to 20 mA.

The analog meter always displays the **OUTPUT** voltage. Accuracy is 2% of full scale.

The **OUTPUT LCD** display provides a read-out of the displayed parameter in real units. The scale of the displayed quantity is indicated by the three scale LED's to the right of the display. This read-out auto ranges and will reflect the sensitivity added when the **EXPAND** function is on.

Expand

The output **EXPAND** is toggled by pressing the key in the **EXPAND** section. The expand status is indicated by the **X10**, expand on, and the **X1**, expand off, LED's.

REL Function

The relative (auto-zero) function is toggled by the key in the **REL** section. Every time the rel status LED is turned **ON** the offset value is set to minus the value of the **X** output, thus zeroing the **X** output. This function will work even if **X** is not the

currently displayed parameter. If the output is greater than 1.024 times full scale, the **REL** function will not be able to zero the output and the **ON** LED will blink. The offset value will then be set to its max value. If **NOISE** is being displayed when the **REL** function is turned on, the noise output will require a few seconds to settle again.

If the manual **OFFSET** is **ON** when the **REL** function is turned on, the manual **OFFSET** will be turned **OFF** before the auto zero is done.

The **REL** function and the manual **OFFSET** are both ways to enter the offset value. When the **REL** function is turned off using the **REL** key the offset is turned off but the value is not lost. If the manual **OFFSET** is now turned **ON**, the offset will be that set by the **REL** function.

Offset

The **OFFSET** section controls the manual **OFFSET**. The offset is turned **ON** and **OFF** using the upper key in the **OFFSET** section. When the offset is **ON**, the lower two keys are used to set the amount of offset. A single key press will advance the offset by 0.025% of full scale. If the key is held down, the offset advances in larger and larger increments, the largest increment being 10% of full scale. When the offset is turned **OFF** the applied offset returns to zero but the offset value is not lost. The next press of the upper offset key (returns to **ON**) sets the offset to the previously entered value.

If an attempt is made to advance the offset value beyond full scale, the **OFFSET ON** LED will blink. An offset up to 1.024 times the full scale sensitivity may be entered. When the expand is on, this is 10X the full scale output.

If the **REL** function is **ON** when the manual **OFFSET** is turned **ON**, the **REL** function is turned **OFF** but the offset value remains the same. The **OFFSET** keys may now be used to adjust this offset value.

Note that the offsets (either manual offset or those generated by the **REL** function) represent a fraction of the full scale reading, and so their absolute value will change when the sensitivity scale is changed. A signal which has been nulled by an offset will not be nulled when the sensitivity scale is changed. The analog meter and the output BNC indicate the same value given by the equation:

$$V_{out} = 10A_e(A_v V_i \cos \phi + V_{OS})$$

where...

$$A_e = 1 \text{ or } 10 \text{ per the Expand setting}$$

$$A_v = 1/\text{Sensitivity}$$

$$V_i = \text{magnitude of the signal}$$

$$\phi = \text{phase between signal \& reference}$$

$$V_{OS} = \text{offset (fraction of FS} < 1.024)$$

Time Constant

There are two post demodulator low pass filters, labeled **PRE** and **POST**. The **PRE** filter precedes the **POST** filter in the output amplifier. Each filter provides 6 dB/oct attenuation.

The **PRE** filter time constant ranges from **1 mS** to **100 S** and is selected by the two keys below the **PRE** filter indicator LED's. Holding down either key will advance the time constant twice a second in the desired direction.

The **POST** filter time constant can be set to **1 S** or **0.1 S**, or can be removed altogether, **NONE**, using the two keys below the **ENBW** indicators. When set to **NONE**, the total attenuation is that of the **PRE** filter, or 6 dB/oct. When the **POST** filter is **1 S** or **0.1S**, the total attenuation is 12 dB/oct for frequency components beyond the larger of the **POST** and **PRE** filter bandwidths (reciprocal time constant).

Noise

When the **DISPLAY** is set to **NOISE**, none of the **PRE** and **POST** indicator LED's are on. Instead, one of the two **ENBW** indicators will be on, showing the Equivalent Noise Bandwidth of the rms noise calculation. The **ENBW** is set using the keys below the **ENBW** indicator LED's (same keys as used to set the **POST** filter). The **PRE** filter keys do nothing in this case. Pressing the upper key when the bandwidth is already **1 Hz** will reset the rms noise average (output) to zero, restarting the calculation. Likewise with pressing the lower key when **10 Hz** is already selected.

The noise is the rms deviation of the output within a 1 or 10 Hz equivalent noise bandwidth about the reference frequency. A dc output does not contribute to the noise, the noise is determined

only by the ac 'wiggles' at the output. By measuring the noise at different frequencies, the frequency dependence of the noise density can be found. This usually has the form of $v_{\text{noise}} \sim 1/f$.

The noise computation assumes that the noise has a Gaussian distribution (such as Johnson noise). Since the computation takes many time constants (reciprocal bandwidth), the noise output should be allowed to approach a steady value before a reading is taken. For the 1 Hz ENBW, this time is on the order of 15 to 30 seconds; for the 10 Hz ENBW, the output stabilizes much faster. The noise output will vary slightly since there will always be noise variations that are slow compared to the bandwidth. Any DC component in the output will not contribute to the noise. However, a large DC output will cause the noise computation to initially rise to a large value before approaching the final answer. As a result, the computation will take longer to settle.

To obtain a value for the noise density, the noise reading should be divided by the square root of the ENBW. Thus, when the ENBW is 1 Hz, the noise output is the noise density, and when the ENBW is 10 Hz, the noise density is the noise output divided by $\sqrt{10}$. For example, if the input noise is measured to be 7 nV with the ENBW set to 1 Hz, the noise density is 7 nV/ $\sqrt{\text{Hz}}$. Switching the ENBW to 10 Hz results in a faster measurement and a reading of 22 nV on the output. The noise density is 22 nV/ $\sqrt{10 \text{ Hz}}$ or 7 nV/ $\sqrt{\text{Hz}}$. At frequencies $\gg 10 \text{ Hz}$, the noise density should be independent of the ENBW.

Reference and Trigger Level

The **REFERENCE INPUT BNC** is located in this section. The input is ac coupled and the impedance is 1 M Ω . The dc voltage at this input should not exceed 100 V and the largest ac signal should be less than 10 V peak. The three indicators above the input BNC display the **TRIGGER MODE**. The single key above the input BNC is used to select the **TRIGGER MODE**.

If the center **TRIGGER MODE** LED is on, the mode is **SYMMETRIC** and the reference oscillator will lock to the positive zero crossings of the ac reference input. The ac signal must be symmetric (e.g. sine wave, square wave, etc.) and have a peak to peak amplitude greater than 100 mV. A signal with 1 V_{rms} amplitude is recommended. The phase accuracy of the reference channel is specified for a 1V_{rms} sinewave in the symmetric trigger mode.

If the upper **TRIGGER MODE** LED is on, the mode is **POSITIVE**. The trigger threshold is +1V and the reference oscillator will lock to the positive going transitions of the reference input. This mode triggers on the rising edges of a TTL type pulse train. The pulse width must be greater than 1 μs .

If the lower **TRIGGER MODE** LED is on, the mode is **NEGATIVE**. The trigger threshold is -1V and the reference oscillator will lock to the negative going transitions of the reference input. This mode triggers on a negative pulse train or on the falling edges of a TTL type pulse train (remembering that the input is ac coupled). The pulse width must be greater than 1 μs . Above the **TRIGGER MODE** indicators are the **REFERENCE MODE** LED's. The key below the **REFERENCE MODE** indicators toggles between f and 2f. When the MODE is f, the lock-in will detect signals at the reference input frequency. When the MODE is 2f, the lock-in detects signals at twice the reference input frequency. In either case, the reference oscillator has a maximum frequency of 100 KHz, thus, when in the 2f mode, the reference input frequency may not exceed 50 KHz.

The **REFERENCE DIGITAL DISPLAY** shows either the reference oscillator frequency or phaseshift. The displayed parameter toggles between the two whenever the **SELECT** key is pressed. The appropriate scale indicator below the display will be on. It is useful to check the frequency display to verify that the lock-in has correctly locked to your reference. The reference frequency is measured to 1 part in 256 resolution.

Phase Controls

The phase shift between the reference oscillator and the reference input is set using the four keys in the **PHASE** section. The two keys below the **FINE** label increment the phase setting in small amounts. A single key press will change the phase by 0.025 degrees in the desired direction. Holding the key down will continue to change the phase with larger and larger steps with the largest step being 10 degrees. The two 90° keys are used to change the phase by 90 degree increments. The upper key will add 90 degrees and the lower key will subtract 90 degrees. Holding both keys down at once sets the phase shift back to zero. The **REFERENCE DIGITAL DISPLAY** automatically displays the phase

whenever any of the **PHASE** keys are pressed. The phase ranges from -180 degrees to +180 degrees and is the phase delay from the reference input signal.

Power

This is the instrument's **POWER** switch. When the power is turned off, the front panel settings are retained so that the instrument will return to the same settings when the power is next turned on.

When the power is turned on, the **OUTPUT DIGITAL DISPLAY** will show the **SERIAL NUMBER** of the instrument and **REFERENCE DISPLAY** shows the model number of the instrument. All displays return to normal after 2 seconds.

Local and Remote

When the instrument is programmed via the computer interface to be in the **REMOTE** state **WITHOUT LOCK-OUT**, the **DISPLAY UP** key will return the instrument to **LOCAL** front panel control. If the instrument is in the **REMOTE WITH LOCK-OUT** state, no front panel key will return the status to **LOCAL**. In this case, a **RETURN TO LOCAL** command must be sent over the computer interface or the power must be turned off and back on.

Defaults

If the **REL** key is held down when the **POWER** is turned on, the instrument settings will be set to the defaults shown below instead of the settings in effect when the power was turned off.

| <u>Parameter</u> | <u>Setting</u> |
|--------------------|----------------|
| BANDPASS | OUT |
| LINE | OUT |
| LINE X 2 | OUT |
| SENSITIVITY | 500 mV |
| DYN RES | LOW |
| DISPLAY | X |
| EXPAND | OFF |
| REL | OFF |
| OFFSET | OFF (value=0) |
| PRE TIME CONSTANT | 100 mS |
| POST TIME CONSTANT | 0.1 S |
| ENBW | 1 Hz |
| REFERENCE MODE | f |
| TRIGGER MODE | SYMMETRIC |
| REFERENCE DISPLAY | FREQUENCY |
| PHASE | 0° |

Whenever default values are used at power up, the red **ERR** LED will turn on for about 3 seconds. If the **ERR** LED is on when the instrument is powered on without the **LOCAL** key down, then the instrument is ignoring the retained settings. This can be due to a low battery.

SR510 Guide to Operation

Rear Panel

AC Power

The ac line voltage selector card, line fuse, and line cord receptacle are located in the fuse holder at the left side of the rear panel. See the section, **Preparation for Use** at the front of this manual for instructions on setting the ac voltage selector and choosing the correct fuse.

GPIB Connector

The SR530 has an IEEE 488 (GPIB) interface built in. The GPIB address is set using **SW1** located to the right of the interface connectors. Refer to page 7 for switch setting details.

RS232 Connector

The SR530 has an RS232 interface. The connector is configured as a **DCE**. The baud rate, parity, stop bits, and echo mode are selected using **SW2** located to the right of the interface connectors. Refer to Page 7 for switch setting details.

Signal Monitor Output

This BNC provides the buffered output of the signal amplifiers and filters. This is the signal just before the demodulator. The output impedance is $<1\Omega$. When a full scale input is applied, the peak-to-peak amplitude at this output is 20 mV, 200 mV or 2 V for dynamic reserve settings of high, norm, and low, respectively.

Preamp Connector

This 9 pin "D" connector provides power and control signals to external peripherals such as pre-amplifiers. The available power is described below.

| <u>Pin</u> | <u>Voltage</u> | <u>Current Available</u> |
|------------|----------------|--------------------------|
| 1 | +20 | 100 mA |
| 2 | +5 | 10 mA |
| 6 | -20 | 100 mA |
| 7 | Signal ground | |
| 8 | Digital ground | |

General Purpose A/D and D/A

There are four analog input ports, labeled **X1** through **X4**. These inputs may be digitized and read via the computer interfaces. The range is -10.24 V to +10.24 V and the resolution is 2.5 mV. The input impedance is 1 M Ω . A digitization can be performed in about 3 mS but the result may take longer to transmit over the interface being used.

There are two analog output ports, labeled **X5** and **X6**. The voltages at these ports may be programmed via the computer interfaces. The range is -10.24 V to +10.24 V and the resolution is 2.5 mV. The output impedance is $<1\Omega$ and the output current is limited to 20 mA.

Ratio

Output **X5** is the ratio output when not programmed by the computer interface or set via the front panel. **X5** becomes the ratio output whenever the unit is turned on.

The voltage at **X5** is the ratio of the detected signal output, **X**, to the analog voltage at port **X1**. An output of 10 V corresponds to a ratio of 1. The ratio is computed by digitizing the demodulator output and the voltage at port **X1** and then taking the ratio. The resolution is 0.0025 V. For best accuracy, the sensitivity should be set to provide at least a 50% full scale signal and the analog denominator (**X1**) should be 5V or greater. The ratio is updated approximately every 1.5 mS. For the Ratio feature to work, the voltage at the denominator input must exceed 40 mV.

Internal Oscillator

The **INTERNAL OSCILLATOR** is a voltage controlled oscillator with a sine wave output. To use the oscillator as the reference source, connect the **REF OUTPUT** on the rear panel to the **REF INPUT** on the front panel. The **REF OUTPUT** is a 1 Vrms sine wave. The **SINE OUTPUT** may be used as the stimulus to the experiment. The **SINE**

OUTPUT can be set to three amplitudes, 1 V, 100 mV, and 10 mV (rms) using the amplitude switch. The output impedance is 600Ω. The **AMP CAL** screw adjusts the amplitude.

The oscillator frequency is controlled by the **VCO INPUT** voltage. A voltage from 0V to 10V will adjust the frequency according to the **VCO RANGE** selected. Three ranges are available, 1 Hz/V, 100 Hz/V, and 10 KHz/V. The input impedance is 10 kΩ. The **FREQUENCY CAL** screw adjusts the frequency.

There are four ways to set the frequency:

1) Connect **X5** or **X6** (D/A outputs) to the **VCO INPUT**. The frequency is now controllable via the computer interfaces by programming **X5** or **X6**.

2) If the **VCO INPUT** is left open, then the oscillator will run at the top of its range (i.e. 10 Hz, 1 KHz, or 100 KHz).

3) A 10 KΩ potentiometer may be connected from the **VCO INPUT** to ground. This pot will then set the frequency.

4) Connect the **VCO INPUT** to an external voltage source which can provide 0 to 10V.

In all four cases, if the **REF OUTPUT** is connected to the **REFERENCE INPUT** on the front panel, the frequency may be read on the front panel **REFERENCE DIGITAL DISPLAY** or via the computer interfaces.

SR510 Guide to Programming

The SR510 Lock-in Amplifier is remotely programmable via both RS232 and GPIB interfaces. It may be used with laboratory computers or simply with a terminal. All front panel features (except signal input selection and power) may be controlled and read via the computer interfaces. The SR510 can also read the analog outputs of other laboratory instruments using its four general purpose analog input ports. There are also two programmable analog output ports available to provide general purpose control voltages.

Communicating with the SR510

Before using either the RS232 or GPIB interface, the appropriate configuration switches need to be set. There are two banks of 8 switches, **SW1** and **SW2**, located on the rear panel. **SW1** sets the GPIB address and **SW2** sets the RS232 parameters. The configuration switches are read continuously and any changes will be effective immediately. For details on switch settings, see page 7 at the front of this manual.

Command Syntax

Communications with the SR510 use ASCII characters. Commands to the SR510 may be in either UPPER or lower case.

A command to the SR510 consists of one or two command letters, arguments or parameters if necessary, and an ASCII carriage return (<cr>) or line-feed (<lf>) or both. The different parts of the command do not need to be separated by spaces. If spaces are included, they will be ignored. If more than one parameter is required by a command, the parameters must be separated by a comma. Examples of commands are:

```
G 5 <cr>   set the sensitivity to 200 nV
T 1,4 <cr> set the pre filter to 30 mS
F <cr>     read the reference frequency
P 45.10 <cr>   set phase shift to 45.10°
X 5,-1.23E-1 <cr> set port X5 to -0.123 V
```

Multiple commands may be sent on a single line. The commands must be separated by a semicolon (;) character. The commands will not be executed until the terminating carriage return is sent.

An example of a multiple command is:

```
G 5; T 1,4; P 45.10 <cr>
```

It is not necessary to wait between commands. The SR510 has a command input buffer of 256 characters and processes the commands in the order received. Likewise, the SR510 has an output buffer (for each interface) of 256 characters.

In general, if a command is sent without parameters, it is interpreted as a request to read the status of the associated function or setting. Values returned by the SR510 are sent as a string of ASCII characters terminated usually by carriage return, line-feed. For example, after the above command is sent, the following read commands would generate the responses shown below.

| <u>Command</u> | <u>Response from the SR510</u> |
|----------------|--------------------------------|
| G <cr> | 5<cr><lf> |
| T 1 <cr> | 4<cr><lf> |
| P <cr> | 45.10<cr><lf> |

The choice of terminating characters sent by the SR510 is determined by which interface is being used and whether the 'echo' feature is in use. The terminating sequence for the GPIB interface is always <cr><lf> (with EOI). The default sequence for RS232 is <cr> when the echo mode is off, and <cr><lf> when the echo mode is on. The terminating sequence for the RS232 interface may be changed using the J command.

Note that the terminating characters are sent with each value returned by the SR510. Thus, the response to the command string G;T1;P<cr> while using the RS232 non-echo mode would be 5<cr>4<cr>45.10<cr>.

Front Panel Status LED's

The **ACT** LED flashes whenever the SR510 is sending or receiving characters over the computer interfaces.

The **ERR** LED flashes whenever an error has occurred, such as, an illegal command has been received, a parameter is out of range, or a communication buffer has exceeded 240 characters. This LED flashes for about three seconds on power-up if the battery voltage is insufficient to retain previous instrument settings.

The **REM** LED is on whenever the SR510 is programmed to be in the remote state.

RS232 Echo and No Echo Operation

In order to allow the SR510 to be operated from a terminal, an echo feature has been included which causes the unit to echo back commands received over the RS232 port. This feature is enabled by setting switch 6 on **SW2** to the DOWN position. In this mode, the SR510 will send line-feeds in addition to carriage returns with each value returned and will also send the prompts 'OK>' and '?>' to indicate that the previous command line was either processed or contained an error. Operating the SR510 from a terminal is an ideal way to learn the commands and responses before attempting to program a computer to control the SR510. When the unit is controlled by a computer, the echo feature should be turned off to prevent the sending of spurious characters which the computer is not expecting.

Try-Out with an ASCII Terminal

Before attempting any detailed programming with the SR510, it is best to try out the commands using a terminal. Connect a terminal with an RS232 port to the RS232 connector on the rear panel of the SR510. Set the baud rate, parity, and stop bits to match the terminal by setting **SW2** per the switch setting table given on page 7. The echo mode should be enabled (switch 6 DOWN). After setting **SW2** and connecting the terminal, hold down the **REL** key while turning the unit on. This causes the SR510 to assume its default settings so that the following discussion will agree with the actual responses of the SR510. The **ACT** and **ERR** LED's on the front panel will flash for a second and the sign-on message will appear on the terminal. Following the message, the prompt 'OK>' will be displayed. This indicates that the SR510 is ready to accept commands.

Type the letter 'P' followed by a carriage return (P<cr>). The SR510 responds by sending to the terminal the characters 0.00 indicating that the phase is set to 0 degrees. In general, a command with no arguments or parameters reads a setting of the unit. To set the phase to 45 degrees, type the command, P45<cr>. To see that the phase did change, use the **SELECT** key on the front panel to display the phase on the **REFERENCE DIGITAL DISPLAY**. Typing the phase read command, P<cr>, will now return the string 45.00

to the terminal.

Now read the gain using the sensitivity read command, G<cr>. The response should be 24 meaning that the sensitivity is at the 24th setting or 500 mV. Change the sensitivity by typing G19<cr>. The sensitivity should now be 10 mV. Check the front panel to make sure this is so.

The output of the lock-in is read by typing the command, Q1<cr>. The response is a signed floating point number with up to 5 significant digits plus a signed exponent. Change the gain to 10 uV using the G10 command. The response to the Q1 command will now be similar to the previous one except that the exponent is different.

Attach a DC voltmeter to the **X6** output on the rear panel. The range should allow for 10V readings. The voltage at the **X6** output can be set using the X6 command. Type X6,5.0<cr> and the X6 output will change to 5.0V. To read this back to the terminal, just type X6<cr>. When setting the **X6** voltage, the voltage may be sent as an integer (5), real (5.000), or floating point (0.500E1) number. Now connect the **X6** output to the **X1** input (also on the rear panel). **X1** through **X4** are analog input ports. To read the voltage on **X1**, simply type X1<cr>. The response 5.000 should appear on the terminal. The analog ports **X1** through **X6** can be used by your computer to read outputs of other instruments as well as to control other laboratory parameters.

At this point, the user should experiment with a few of the commands. A detailed command list follows.

SR510 Command List

The first letter in each command sequence is the command. The rest of the sequence consists of parameters. Multiple parameters are separated by a comma. Those parameters shown in {} are optional while those without {} are required.

Variables m and n represent integer parameters while v represents a real number. Parameters m and n must be expressed in integer format while v may be in integer, real, or floating point format.

A {n}

If n is "1", the A command causes the **auto offset** routine to run. Every time an "A 1" command is received, the auto offset function is executed. If n is "0", then the auto offset is turned off. If n is absent, then the auto offset status is returned. Note that if the manual offset is on, an "A 1" command will turn off the manual offset before executing the auto offset function.

B {n}

If n is "1", the B command sets the **bandpass** filter in. If n is "0", the bandpass filter is taken out. If n is absent, then the bandpass filter status is returned.

C {n}

If n is "1", the C command sets the **reference LCD display** to show the phase setting. If n is "0", the LCD will display the reference frequency. If n is absent, the parameter being displayed (frequency or phase) is returned. Note that the P and F commands are used to read the actual values of the phase and frequency.

D {n}

If n is included, the D command sets the **dynamic reserve**. If n is absent, the dynamic reserve setting is returned.

| n | Dyn Res |
|---|---------|
| 0 | LOW |
| 1 | NORM |
| 2 | HIGH |

Note that not all dynamic reserve settings are allowed at every sensitivity.

E {n}

If n is "1", the E command turns the output **expand** on. If n is "0", the expand is turned off. If n is absent, the expand status is returned.

F

The F command reads the reference **frequency**. For example, if the reference frequency is 100 Hz, the F command returns the string "100.0". If the reference frequency is 100.0 kHz, the string "100.0E+3" is returned. The F command is a read only command.

G {n}

If n is included, the G command sets the gain (sensitivity). If n is absent, the gain setting is returned.

| n | Sensitivity |
|----|-------------|
| 1 | 10 nV |
| 2 | 20 nV |
| 3 | 50 nV |
| 4 | 100 nV |
| 5 | 200 nV |
| 6 | 500 nV |
| 7 | 1 μV |
| 8 | 2 μV |
| 9 | 5 μV |
| 10 | 10 μV |
| 11 | 20 μV |
| 12 | 50 μV |
| 13 | 100 μV |
| 14 | 200 μV |
| 15 | 500 μV |
| 16 | 1 mV |
| 17 | 2 mV |
| 18 | 5 mV |
| 19 | 10 mV |
| 20 | 20 mV |
| 21 | 50 mV |
| 22 | 100 mV |
| 23 | 200 mV |
| 24 | 500 mV |

Note that sensitivity settings below 100 nV are allowed only when a pre-amplifier is connected.

H

The H command reads the **pre-amplifier status**. If a pre-amplifier is connected, a "1" is returned, otherwise, a "0" is returned. The H command is a read only command.

I {n}

If n is included, the I command sets the **remote-local** status. If n is absent, the remote-local status is returned.

n Status

- 0 Local: all front panel keys are operative
- 1 Remote: front panel keys are not operative. The display up key returns the status to local.
- 2 Lock-out: front panel keys are not operative. No key returns the status to local. Another I command is needed to return to local.

When using the GPIB interface, the REN, LLO, and GTL commands are not implemented. The I command is used by both interfaces to set the remote-local status.

J {n1,n2,n3,n4}

The J command sets the RS232 **end-of-record** characters sent by the SR510 to those specified by the ASCII codes n1-n4. If no argument is included, the end-of-record sequence returns to the default (a carriage return), otherwise, up to four characters may be specified. The end-of-record required by the SR510 when receiving commands is not affected.

K n

The K command simulates a front panel **key press**. The effect is exactly the same as pressing the selected key once. The parameter n is required.

n Key

- 1 Post Time Constant Up
- 2 Post Time Constant Down
- 3 Pre Time Constant Up
- 4 Pre Time Constant Down
- 5 Offset Up
- 6 Offset Down
- 7 Zero Phase (Simultaneous 90_i Up and Down)
- 8 Line Notch Filter
- 9 Bandpass Filter
- 10 Line X 2 Notch Filter
- 11 Relative (Auto Offset)
- 12 Offset (On/Off)
- 13 Expand
- 14 Local (Display Up when REMOTE)
- 15 Reference Trigger Mode
- 16 Reference Mode (f/2f)
- 17 Degrees Up
- 18 Degrees Down
- 19 Quad Up

- 20 Quad Down
- 21 Select Display (f/phase)
- 22 Sensitivity Up
- 23 Sensitivity Down
- 24 Dyn Res Up
- 25 Dyn Res Down
- 26 Display Up
- 27 Display Down

L m {,n}

The L command sets and reads the status of the line **notch filters**. If m is "1", then the 1X line notch is selected, if m is "2", the 2X line notch is selected. The parameter m is required. If n is "1", the L command sets the selected filter in. If n is "0", the selected filter is taken out. If n is absent, the status of the selected filter is returned.

M {n}

If n is "1", the M command sets the **reference mode** to 2f. If n is "0", the reference mode is set to f. If n is absent, the reference mode is returned.

N {m}

If m is "1", the N command sets the **ENBW** to 10 Hz. If m is "0", the ENBW is set to 1 Hz. If m is absent, the ENBW setting is returned.

O {n} {,v}

If n is "1", the O command turns the **offset** on. If n is "0", the offset is turned off. If n is absent, the offset status (on or off) is returned. (The value of the offset is read using the S and Q commands.) If n is included, then v may also be sent. v is the offset value up to plus or minus full scale in units of volts. For example, to offset half of full scale on the 100 μ V sensitivity, v should be "50.0E-6" or an equivalent value. However, if the sensitivity is then changed to 200 μ V, the offset is now half of the new full scale or 100 μ V. When the sensitivity is changed, the offset is retained as a constant fraction of full scale rather than as a voltage referred to the input. The expand function will, on the other hand, preserve the value of the offset as an input referred voltage. Once a value of v is sent, the offset may be turned off and on without losing the offset value by using the O command without the v parameter. Note that if the auto offset is on, an "O 1" command will turn the auto offset off and turn the manual offset on without changing the actual offset value.

P {v}

If v is absent, the P command returns the **phase** setting from -180 to +180 degrees. When v is included, the phase is set to the value of v up to ± 999 degrees.

Q

The Q command returns the **output** reading in units of volts. For an input signal of 50 μV on a full scale sensitivity of 100 μV , the Q command will return the string "50.00E-6". The parameter read is the same as that being shown on the output display and can be changed with the S command.

R {n}

If n is included, the R command sets the reference **input trigger** mode. If n is absent, the trigger mode is returned.

| n | Mode |
|---|-----------|
| 0 | Positive |
| 1 | Symmetric |
| 2 | Negative |

S {n}

If n is included, the S command selects the parameter shown on the analog meter and output digital display as well as the output BNC. If n is absent, the parameter being displayed is returned.

| n | Display |
|---|---------|
| 0 | X |
| 1 | Offset |
| 2 | Noise |

T m {,n}

The T command sets and reads the status of the **time constants**. If m is "1", the pre time constant is selected, if m is "2", the post time constant is selected. The parameter m is required. If n is included, the T command sets the selected time constant. If n is absent, the setting of the selected time constant is returned.

| n | Pre Time Constant (m=1) |
|----|-------------------------|
| 1 | 1 mS |
| 2 | 3 mS |
| 3 | 10 mS |
| 4 | 30 mS |
| 5 | 100 mS |
| 6 | 300 mS |
| 7 | 1 S |
| 8 | 3 S |
| 9 | 10 S |
| 10 | 30 S |
| 11 | 100 S |

| n | Post Time Constant (m=2) |
|---|--------------------------|
| 0 | none |
| 1 | 0.1 S |
| 2 | 1 S |

U m {,n}

The U command sets and reads the unit's ROM **calibration** bytes. m is the address offset of the byte, 0-255. If n is absent, the value of the addressed calibration byte is returned. If n is included, the addressed calibration byte is set to the value of n, 0-255. The new value will be in effect until the power is turned off or a reset command is issued. Use of this command is not recommended.

V {n}

If n is included, the V command sets the GPIB **SRQ** (service request) mask to the value n. If n is absent, the value of the SRQ mask is returned.

W {n}

The W command sets and reads the RS232 character **wait** interval. If n is included, the SR510 will wait $n*4$ mS between characters sent over the RS232 interface. This allows slow computer interfaces to keep up. n can range from 0 to 255. If n is absent, the wait value is returned. The wait interval is set to 6 on power-up.

X n {,v}

n designates one of the 6 general purpose **analog ports** located on the rear panel. If n is 1,2,3, or 4, the X command will return the voltage on the designated analog input port (X1-X4) in volts. If n is 5 or 6, then v may also be sent. If v is included, the designated analog output port (X5 or X6) will be set to v volts where v has the range -10.24V to +10.24V. If v is absent, the output value of the selected port is returned. On power-up, port X5 is the ratio output. An "X 5" command will read the ratio output. An "X 5" command with the parameter v will set port X5 to v volts, overriding the ratio output. Port X5 will return to the ratio output on power-up or reset.

Y {n}

The Y command reads the **status** byte. (See below for a definition of the Status Byte.) n designates one bit, 0-7, of the status byte. If n is included, the designated bit of the status byte is returned. The bit which is read is then reset. If n is absent, the value of the entire byte is returned and all status bits are then reset. This status byte may also be read over the GPIB using the serial poll command.

Z

The Z command causes an internal **reset**. All settings return to their default values. The ERR

LED will be on for about 2 seconds to indicate that the stored instrument settings are being ignored. If the RS232 echo mode is on, the sign-on message is sent over the RS232 interface.

Status Byte

The SR510 maintains an 8-bit status register which the user may read to obtain information on the unit's status. The status byte may be read in two ways: by sending the Y command, which returns the value of the byte in ASCII coded decimal, or, when using the GPIB, by performing a serial poll. The returned status byte reflects all of the status conditions which have occurred since the last time the byte was read. After the status byte has been read, it is cleared. Thus, the status byte should be read initially to clear all previous conditions (especially after a power up or after settings have been changed).

The definitions for each bit of the status byte are given below:

Bit 0

Busy. When this bit is set, it indicates the SR510 has unprocessed commands pending on its command queue. For RS232 communications, this bit is always high since the Y command itself will be an unprocessed command. This bit is not reset when read but only when there are no pending commands. Since the SR510 buffers incoming commands, it is not necessary to read this bit before sending each command. Commands received while the SR510 is executing a previous command are stored until all previously received commands have been executed.

Bit 1

Command Parameter Out of Range. This bit is set if a parameter associated with a command is not in the allowed range.

Bit 2

No Reference. This bit is set when no reference input is detected, either because the amplitude is too low or the frequency is out of range.

Bit 3

Unlock. This bit is set when the reference oscillator is not locked to the reference input. If there is no reference input, bit 2 (no reference) will be set but bit 3 (unlock) may not be.

Bit 4

Overload. This bit is set if there is a signal overload. This can happen when the sensitivity is too high, the dynamic reserve is too low, the offset is on, or the expand is on. Overloads on the general purpose A/D inputs or the ratio output are not detected.

Bit 5

Auto Offset Out of Range. This bit is set if the auto offset function cannot zero the output because the output exceeded 1.024X full scale.

Bit 6

SRQ. This bit is high if the SR510 has generated an SRQ on the GPIB interface. This bit is reset after the SR510 has been serial polled. This bit is set only for status reads via a serial poll, ie., Bit 6 always zero for the RS232.

Bit 7

Command Error. This bit is set when an illegal command string is received.

Errors

Whenever a 'parameter out of range' or an 'unrecognized command' error occurs, the appropriate status bits are set and the **ERR LED** flashes. In addition, any commands remaining on the current command line (up to the next <cr>) are lost. The **ERR LED** will also light if any of the internal communication buffers overflows. This occurs when 240 characters are pending on the command queue or output queue. The **ERR LED** will go off as soon as all buffers drop below 200 characters again.

Reset

The Z command resets the unit to its default state. The default front panel settings are listed in the **DEFAULTS** section of the **Guide to Operations**. In addition, the interface status returns to LOCAL, the SRQ mask is cleared, the RS232 character WAIT interval is set to 6, and the terminating sequence is reset to the proper defaults.

The command and output buffers are cleared by the Z command. Therefore, it is bad practice to use the Z command before all previous commands have been processed and all responses have been received.

Trouble-Shooting Interface Problems

If you are having difficulty getting your computer to communicate with the SR510 look to the sections on the RS232 and GPIB interfaces for some tips specific to your particular interface.

An ASCII terminal is a valuable aid for debugging interface problems. You can use it to:

- 1) become familiar with the SR510's command structure,
- 2) see GPIB bus transactions by using the GPIB echo mode,
- 3) eavesdrop on transactions when using the RS232 interface,
- 4) substitute a human for the SR510 by using a null modem cable (to make the DTE a DCE) and attaching the terminal to the port to which you would normally have connected the SR510. This allows you to test your program's responses to inputs which you provide from the terminal.

Common Hardware Problems include:

- 1) The RS232 or GPIB cables are not properly attached.
- 2) The configuration switches for the RS232 characteristics or GPIB address are not set correctly (Make sure the RS232 echo is off when using the RS232 interface with a computer. The GPIB with RS232 echo mode should be off when not debugging the GPIB interface.)
- 3) Your computer requires an RS232 control line to be asserted, but your cable does not pass it between the SR510 and the computer, or, your computer is not asserting the DTR line on the RS232.

Common Software Problems include:

- 1) You have sent the wrong command to ask for data from the SR510. Your program will wait forever for a response which is not going to come. This may not be your fault; we have

seen Microsoft's Interpreted Basic on the IBM PC occasionally send a curly bracket (ASCII 253) when it was supposed to have sent a carriage return (ASCII 13).

- 2) Your computer's baud rate has been changed and no longer matches the SR510's baud rate.
- 3) The initial command sent to the SR510 was invalid due to a garbage character left in the command queue from power-up, or, the first character in you computer's UART is garbage, also due to power-up. It is good practice to send a few carriage returns to the SR510 when your program begins, and have your program clear-out its UART at the start of your program.
- 4) The SR510 is not sending the correct 'end-of-record' marker for your computer. For example, it appears that Microsoft's Rev 3.2 FORTRAN on the IBM PC under DOS 2.1 requires two carriage returns for an end-of-record marker. The J command can be used to set the SR510 end-of-record marker to 2 carriage returns. [The end-of-record marker is that sequence which indicates that the response is complete. From the keyboard, a single carriage return is the end-of-record marker.]
- 5) Answers are coming back from the SR510 too fast, overwriting the end-of-record markers, and causing the computer to hang waiting for a complete response. In this case, the W command can be used to slow down the response time of the SR510 preventing overwriting.
- 6) Answers are coming back from the SR510 too slowly due to the W6 default setting for the character interval time. Use the W command to speed up the transmission from the SR510. This can cause problems for the GPIB interface if the echo mode is on (switch 6 of SW21).

The SR510 with the RS232 Interface

The RS232 is a popular serial interface standard for bit serial communication. Despite the existence of the standard there are many permutations of control lines, baud rates, and data formats. If you do not have a lot of experience interfacing RS232 equipment you should read Appendix B for a description of the RS232 and interfacing tips.

Data Communications Equipment (DCE)

The SR510 is configured as DCE so that it may be connected directly to a terminal. If the SR510 is to be interfaced with another DCE device, a special cable (sometimes referred to as a 'modem' cable) is required. To use the RS232 interface you must set the switches in SW2 to match your computer's baud rate, parity, and number of stop bits. Refer to Page 7 for details.

Wait Command

The SR510 normally waits until the RS232 'Clear to Send' control line (CTS) is asserted before sending characters. However, some computers do not set and reset the CTS line, possibly causing the SR510 to send data when the computer is not ready to read it. The SR510 may be 'slowed down' using the W command. Sending 'Wn' causes the unit to wait nX4 mS before sending each character over the RS232 bus. The command W0 sets the wait interval to zero and results in the fastest transmission. The wait interval is set to 6 (24 mS) on power-up.

Termination Sequences

The default RS232 termination characters are sufficient to interface with most computers, however, it will occasionally be necessary to send special terminating sequences to fit the requirements of some computers. This can be done with the J command. The format for the command is:

J {n1,n2,n3,n4}

where n1, n2, n3, and n4 are decimal values between 0 and 255 corresponding to the decimal ASCII codes of the desired termination characters. For instance, if the desired termination sequence is an asterisk, (ASCII 42), two carriage returns, (ASCII 13), and a line feed, (ASCII 10), the appropriate command is:

J 42,13,13,10

If a G command is sent requiring an answer of 24 (sensitivity = 500 mV), the SR510 would respond with the string

24*<cr><cr><lf>

Up to four terminating characters may be specified by the J command. If no arguments are sent with the J command, the terminating sequence returns to the default (echo on: <cr><lf>; echo off: <cr>).

The J command does not affect the terminating character (<cr>) required at the end of commands received by the SR510. It also does not affect the terminating sequence sent with data over the GPIB interface.

The SR510 with the GPIB Interface

For a brief introduction to the GPIB standard, please read Appendix C at the back of this manual. Before using the GPIB interface you must set the switches in SW1 per the instructions on page 7.

GPIB Capabilities

The GPIB capabilities of the SR510 consistent with IEEE standard 488 (1978) are shown in the table below. Also shown are the responses of the SR510 to some standard commands.

| <u>Code</u> | <u>Function</u> |
|-------------|---|
| SH1 | Source handshake capability |
| AH1 | Acceptor handshake capability |
| T5 | Basic Talker, Serial Poll, Unaddressed to talk if addressed to listen |
| L4 | Basic Listener, Unaddressed to listen if addressed to talk |
| SR1 | Service request capability |
| PP0 | No parallel poll capability |
| DC1 | Device Clear capability |
| RL0 | REN,LLO, GTL not implemented. 'I' command sets Remote-Local. |

SR510 Response to GPIB Commands

| <u>Mnemonic</u> | <u>Command</u> | <u>Response</u> |
|-----------------|--------------------------|--|
| DCL | Device Clear | Same as Z command |
| SDC | Selected Device Clear | Same as Z command |
| SPE | Serial Poll Enable | Send Status Byte, & clear status byte |

Because the SR510 can be controlled by an RS232 interface as well as the GPIB, the remote-local functions are not standard. There is no local with lock out state. When in the local state, remote commands are processed, even without the REN command being issued. This is because

the RS232 interface has no provision for bus commands and remote commands over the RS232 interface would never be enabled.

Serial Polls and Service Requests

The status byte sent by the SR510 when it is serial polled is the same status byte which is read using the Y command (except for bit 6, SRQ). Of course, when the SR510 is serial polled, it does not encode the status byte as a decimal number. The SR510 can be programmed to generate a service request (SRQ) to the GPIB controller every time a given status condition occurs. This is done using the V{n} command. The mask byte, n (0-255), is the SRQ mask byte. The mask byte is always logically anded with the status byte. If the result is non-zero, the SR510 generates an SRQ and leaves the status byte unchanged until the controller performs a serial poll to determine the cause of the service request. When the unit has been serial polled, the status byte is reset to reflect all of the status conditions which have occurred since the SRQ was generated.

For example, if we want to generate an SRQ whenever there is an overload or unlock condition, we need an SRQ mask byte equal to 00011000 binary, or 24 decimal ("V24" command). The byte 00011000 binary corresponds to the status byte with the 'no reference' and 'unlock' status bits set. If an overload occurs, then an SRQ will be generated. The serial poll will return a status byte showing SRQ and overload. If an unlock condition occurs before the serial poll is concluded, another SRQ will be generated as soon as the serial poll is finished. A second serial poll will reflect the unlock condition.

Any SRQ generated by the 'no reference', 'unlock', 'overload', and 'auto over-range' conditions will also reset the corresponding bit in the SRQ mask byte. This is to prevent a constant error condition (such as no reference applied to the input) from continually interrupting the controller. When such an SRQ occurs, the controller should change some parameter so as to solve the problem, and then re-enable the SRQ mask bit again using the V command.

GPIB with RS232 Echo Mode

It is sometimes useful when debugging a GPIB system to have some way of monitoring exactly what is going back and forth over the bus. The SR510 has the capability to echo all characters sent and received over the GPIB to its RS232 port. This mode of operation is enabled by setting switch 6 of **SW1** to the DOWN position. The baud rate, stop bits, and parity of the RS232 port are still set by **SW2**. Of course, the RS232 port operates at much lower speeds than the GPIB and will slow down the GPIB data rate in this mode. (Use the W0 command to allow the RS232 interface to run at full speed, otherwise, the GPIB transactions may take so long that the controller can hang.) During actual use, this mode should be disabled.

The SR510 with BOTH Interfaces

If both interfaces are connected, commands may be received from either interface. Responses are always sent to the source of the request (except in GPIB echo mode). It is unwise to send commands from the two interfaces at the same time since the characters from different sources can become interleaved on the command queue and result in 'unrecognized command' errors.

The Lock-in Technique

The Lock-in technique is used to detect and measure very small ac signals. A Lock-in amplifier can make accurate measurements of small signals even when the signals are obscured by noise sources which may be a thousand times larger. Essentially, a lock-in is a filter with an arbitrarily narrow bandwidth which is tuned to the frequency of the signal. Such a filter will reject most unwanted noise to allow the signal to be measured. A typical lock-in application may require a center frequency of 10 KHz and a bandwidth of 0.01 Hz. This 'filter' has a Q of 106 - well beyond the capabilities of passive electronic filters.

In addition to filtering, a lock-in also provides gain. For example, a 10 nanovolt signal can be amplified to produce a 10 V output--a gain of one billion.

All lock-in measurements share a few basic principles. The technique requires that the experiment be excited at a fixed frequency in a relatively quiet part of the noise spectrum. The lock-in then detects the response from the experiment in a very narrow bandwidth at the excitation frequency.

Applications include low level light detection, Hall probe and strain gauge measurement, micro-ohm meters, C-V testing in semiconductor research, electron spin and nuclear magnetic resonance studies, as well as a host of other situations which require the detection of small ac signals.

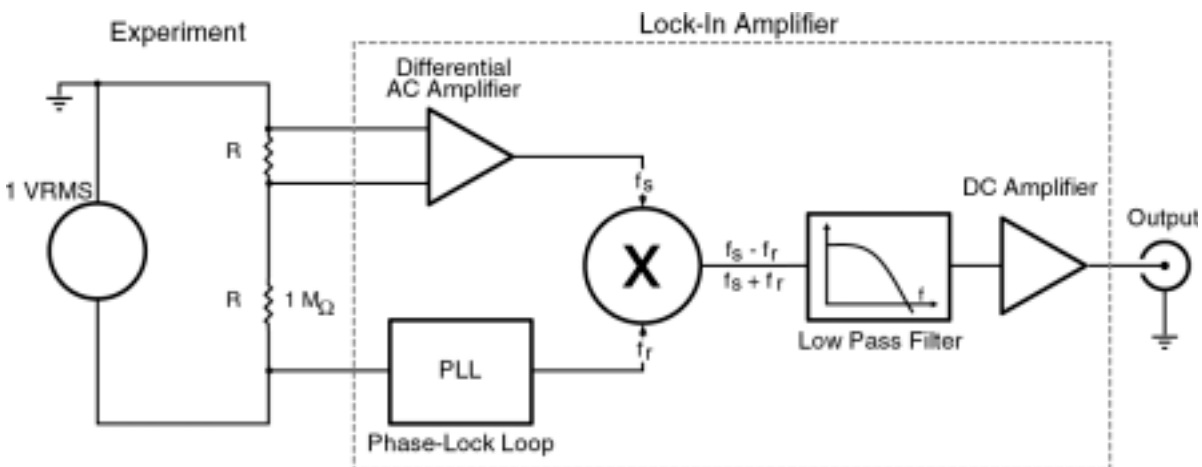
A Measurement Example

Suppose we wish to measure the resistance of a material, and we have the restriction that we must not dissipate very much power in the sample. If the resistance is about 0.1Ω and the current is restricted to $1\mu\text{A}$, then we would expect a 100 nV signal from the resistor. There are many noise signals which would obscure this small signal -- 60Hz noise could easily be 1000 times larger, and dc potentials from dissimilar metal junctions could be larger still.

In the block diagram shown below we use a 1V_{rms} sine wave generator at a frequency ω_r as our reference source. This source is current limited by the $1\text{M}\Omega$ resistor to provide a $1\mu\text{A}$ ac excitation to our 0.1Ω sample.

Two signals are provided to the lock-in. The 1VAC reference is used to tell the lock-in the exact frequency of the signal of interest. The lock-in's Phase-Lock Loop (PLL) circuits will track this input signal frequency without any adjustment by the user. The PLL output may be phase shifted to provide an output of $\cos(\omega_r t + \theta)$.

The signal from the sample under test is amplified by a high gain ac coupled differential amplifier. The output of this amplifier is multiplied by the PLL output in the Phase-Sensitive Detector (PSD). This multiplication shifts each frequency component of the input signal, ω_s , by the reference frequency, ω_r , so that the output of the PSD is given by:



$$\begin{aligned}
V_{psd} &= \cos(\omega_r + \theta) \cos(\omega_s t) \\
&= \frac{1}{2} \cos[(\omega_r + \omega_s)t + \theta] + \\
&\quad \frac{1}{2} \cos[(\omega_r - \omega_s)t + \theta]
\end{aligned}$$

The sum frequency component is attenuated by the low pass filter, and only those difference frequency components within the low pass filter's narrow bandwidth will pass through to the dc amplifier. Since the low pass filter can have time constants up to 100 seconds, the lock-in can reject noise which is more than .0025 Hz away from the reference frequency input.

For signals which are in phase with the reference, the phase control is usually adjusted for zero phase difference between the signal and the reference. This can be done by maximizing the output signal. A more sensitive technique would be to adjust the phase to null the signal. This places the reference oscillator at 90 degrees with respect to the signal. The phase control can now be shifted by 90 degrees to maximize the signal. Alternatively, since the phase control is well calibrated, the phase of the signal can be measured by adding 90 degrees to the phase setting which nulls the signal.

Understanding the Specifications

The table below lists some specifications for the SR510 lock-in amplifier. Also listed are the error contributions due to each of these items. The specifications will allow a measurement with a 2% accuracy to be made in one minute.

We have chosen a reference frequency of 5 kHz so as to be in a relatively quiet part of the noise spectrum. This frequency is high enough to avoid low frequency '1/f' noise as well as line noise. The frequency is low enough to avoid phase shifts and amplitude errors due to the RC time constant of the source impedance and the cable capacitance.

The full-scale sensitivity of 100 nV matches the expected signal from our sample. The sensitivity is calibrated to 1%. The instrument's output stability also affects the measurement accuracy. For the required dynamic reserve, the output stability is 0.1%/°C. For a 10°C temperature change we can expect a 1% error.

A front-end noise of 7 nV/√Hz will manifest itself as a 1.2 nVrms noise after a 10 second low-pass filter since the equivalent noise bandwidth of a

single pole filter is 1/4RC. The output will converge exponentially to the final value with a 10 second time constant. If we wait 50 seconds, the output will have come to within 0.7% of its final value.

The dynamic reserve of 60 dB is required by our expectation that the noise will be a thousand times larger than the signal. Additional dynamic reserve is available by using the bandpass and notch filters.

A phase-shift error of the PLL tracking circuits will cause a measurement error equal to the cosine of the phase shift error. The SR510's 1° phase accuracy will not make a significant contribution to the measurement error.

Specifications for the Example Measurement

| Specification | Value | Error |
|------------------------|------------|-------------|
| Full Scale Sensitivity | 100 nV | |
| Dynamic Reserve | 60 dB | |
| Reference Frequency | 5 kHz | |
| Gain Accuracy | 1% | 1% |
| Output Stability | 0.1%/°C | 1% |
| Front-End Noise | < 7 nV/√Hz | 1.2% |
| Output Time Constant | > 10 S | <u>0.7%</u> |
| Total RMS Error | | 2% |

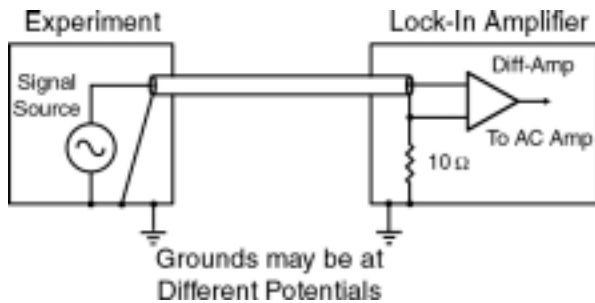
Shielding and Ground Loops

In order to achieve the 2% accuracy given in this measurement example, we will have to be careful to minimize the various noise sources which can be found in the laboratory. (See Appendix A for a brief discussion on noise sources and shielding) While intrinsic noise (Johnson noise, 1/f noise and alike) is not a problem in this measurement, other noise sources could be a problem. These noise sources can be reduced by proper shielding.

There are two methods for connecting the lock-in to the experiment: the first method is more convenient, but the second eliminates spurious pick-up more effectively.

In the first method, the lock-in uses the 'A' input in a 'quasi-differential' mode. Here, the lock-in detects the signal as the voltage between the center and outer conductors of the A input. The lock-in does not force A's shield to ground, rather it is connected to the lock-in's ground via a 10½ resistor. Because the lock-in must sense the shield voltage (in order to avoid the large ground loop noise between the experiment and the lock-in) any noise pickup on the shield will appear as noise to the lock-in. For a low impedance source

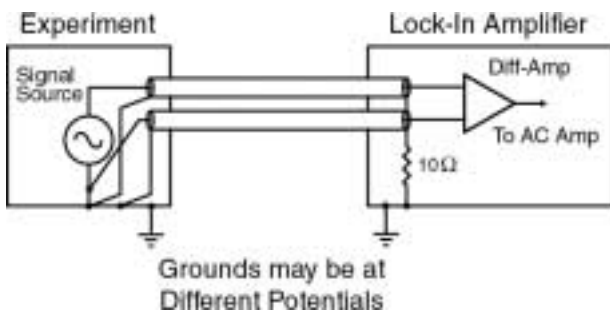
(as is the case here) the noise picked up by the shield will also appear on the center conductor. This is good, because the lock-in's 100 dB CMRR will reject most of this common mode noise. However, not all of the noise can be rejected, especially the high frequency noise, and so the lock-in may overload on the high sensitivity ranges.



Quasi-Differential Connection

The second method of connecting the experiment to the lock-in is called the 'true-differential' mode. Here, the lock-in uses the difference between the center conductors of the A & B inputs as the input signal. Both of the signal sources are shielded from spurious pick-up.

With either method, it is important to minimize both the common mode noise and the common mode signal. Notice that the signal source is held near ground potential in both cases. A signal which appears on both the A & B inputs will not be perfectly cancelled: the common mode rejection ratio (CMRR) specifies the degree of cancellation. For low frequencies the CMRR of 100 dB indicates that the common mode signal is canceled to 1 part in 10^5 , but the CMRR decreases by about 6 dB/octave (20 dB/Decade) starting at 1KHz. Even with a CMRR of 10^5 , a 10 mV common mode signal behaves like 100nV differential signal.



True-Differential Connection

There are some additional considerations in deciding how to operate the lock-in amplifier:

Dynamic Reserve (DR) is the ratio of the largest noise signal that the lock-in can tolerate before overload to the full scale input. Dynamic reserve is usually expressed in dB. Thus a DR of 60 dB means that a noise source 1000 times larger than a full scale input can be present at the input without affecting the measurement of the signal. A higher DR results in a degraded output stability since most of the gain is DC gain after the phase sensitive detector. In general, the lowest DR which does not cause an overload should be used.

The Current Input has a 1 kΩ input impedance and a current gain of 10^6 Volts/Amp. Currents from 500 nA down to 100 fA full scale can be measured. The impedance of the signal source is the most important factor to consider in deciding between voltage and current measurements.

For high source impedances, (>1 MΩ) or small currents, use the current input. Its relatively low impedance greatly reduces the amplitude and phase errors caused by the cable capacitance-source impedance time constant. The cable capacitance should still be kept small to minimize the high frequency noise gain of the current preamplifier.

For moderate source impedances or larger currents, the voltage input is preferred. A small value resistor may be used to shunt the source. The lock-in then measures the voltage across this resistor. Select the resistor value to keep the source bias voltage small while providing enough signal for the lock-in to measure.

The Auto-Tracking Bandpass Filter has a Q of 5 and follows the reference frequency. The passband is therefore 1/5 of the reference frequency. The bandpass filter can provide an additional 20 dB of dynamic reserve for noise signals at frequencies outside the passband. The filter also improves the harmonic rejection of the lock-in. The second harmonic is attenuated an additional 13dB and higher harmonics are attenuated by 6 dB/octave more. You may wish to use the bandpass filter and select a low dynamic reserve setting in order to achieve a better output stability. Since the processor can only set the bandpass filter's center frequency to within 1% of the reference frequency, this filter can contribute up to 5° of phase shift error and up to 5% of amplitude error when it is used. In addition, the

bandpass filter adds a few nanovolts of noise to the front end of the instrument when it is in use.

Line Notch Filters should be used in most measurement situations. The filters will reject about 50 dB of line frequency noise (about a factor of 300). If your reference frequency is one octave away, then these filters will introduce a 10° phase shift error, and a few percent amplitude error. Their effect on your signal is negligible if your reference frequency is more than two octaves away.

The frequency range of the SR510 lock-in amplifier extends from 0.5Hz to 100KHz. No additional cards are required for the instrument to cover its full frequency range. The SR510 can be used to detect a signal at the reference frequency or at twice the reference frequency to allow for convenient measurement of the harmonic of the signal.

Noise measurement is a feature which allows direct measurement of the noise density of the signal at the reference frequency. This is a useful feature to assess at what frequency you should run your experiment.

Output Filters can have one pole (6 dB per octave) or two poles (12 dB/octave). A two-pole filter provides a signal to noise improvement over a single-pole filter due to its steeper roll off and reduced noise bandwidth. Single-pole filters are preferred when the lock-in is used in a servo system to avoid oscillation.

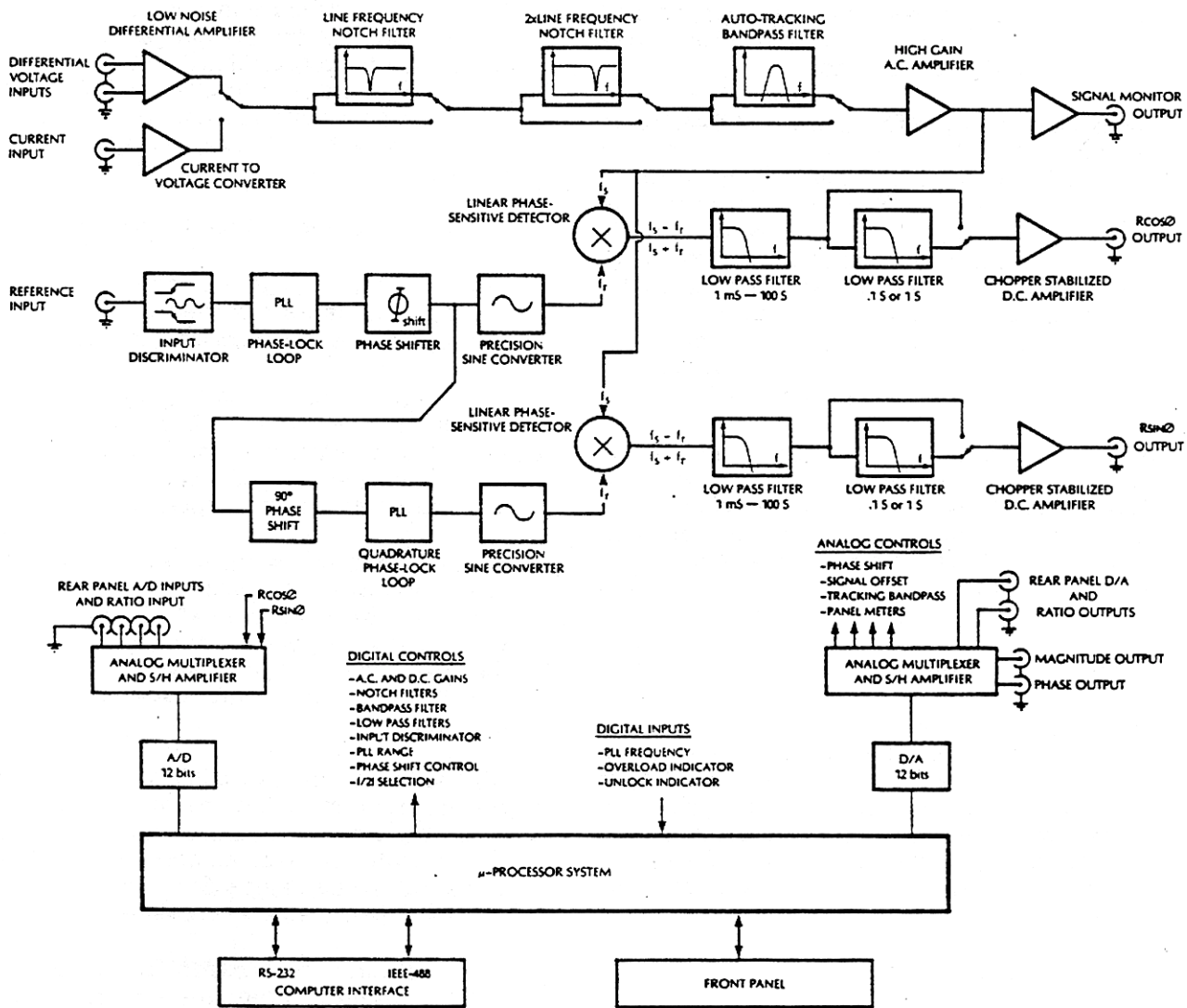
In many servo applications, no output filtering is needed. In this case, the SR510 may be modified to reduce the output time constant to about 20 μ S. Contact the factory for details.

Ratio Capability allows the lock-in's output to be divided by an external voltage input. This feature is important in servo applications to maintain a constant loop gain, and in experiments to normalize a signal to the excitation level.

Computer Interface allows a computer to control and to record data from the instrument. This is the single most important feature for extending the lock-in's capabilities and it's useful lifetime. Measurements which are impractical without a computer become simple when a computer is used to coordinate various parts of the experiment.

The Internal Oscillator provides a reference source for the lock-in. This allows the lock-in's frequency to be set without an additional signal generator. It also provides a sine wave to be used as the signal stimulus in an experiment. The frequency may be set via the computer interface as well as manually.

LOCK-IN AMPLIFIER DIAGRAM



SR510 Block Diagram

Several new concepts are used to simplify the design of SR510 lock-in amplifier. In addition to implementing recent advances in linear integrated circuit technology, the instrument was designed to take full advantage of its microprocessor controller to improve performance and to reduce cost.

As an example of the new techniques used in the SR510, consider the harmonic rejection problem. Previously, lock-in amplifiers used a PLL with a square wave output. The Fourier components of the square wave created a serious problem -- the lock-in would respond to signal and noise at f , $3f$, $5f$, ad infinitum. Quite often, one component of this picket fence of frequencies would land on

some noise source, giving a spurious result. To overcome this difficulty designers employed tuned amplifiers or heterodyning techniques. All of these 'fix-ups' had drawbacks, including phase and amplitude errors, susceptibility to drift, and card-swapping to change frequencies.

In contrast, the SR510 detects the signal by mixing a reference sine wave in a precision analog multiplier. Because of the low harmonic content of this sine wave, the instrument is insensitive to harmonics. This approach has eliminated the difficulty, performance compromises, and cost of the older techniques.

The Signal Channel

The instrument has both current and voltage inputs. The current input is a virtual ground, and the 100 M Ω voltage inputs can be used as single-ended or true differential inputs.

There are three signal filters. Each of these filters may be switched 'in' or 'out' by the user. The first filter is a line notch filter. Set to either 50 or 60 Hz, this filter provides 50 dB of rejection at the line frequency. The second filter provides 50 dB of rejection at the first harmonic of the line frequency. The third filter is an auto-tracking bandpass filter with a center frequency tuned by the microprocessor to the frequency of the signal. These three filters eliminate most of the noise from the signal input before the signal is amplified.

A high-gain ac amplifier is used to amplify the signal before entering the phase sensitive detector. The high gain which is available from this programmable amplifier allows the lock-in to operate with a lower gain in its dc amplifier. This arrangement allows high stability operation even when used on the most sensitive ranges.

Reference Channel

The processor controlled reference input discriminator can lock the instrument's PLL to a variety of reference signals. The PLL can lock to sine waves or to logic pulses with virtually no phase error. The PLL output is phase shifted and shaped to provide a precision sine wave to the phase sensitive detector.

Phase Sensitive Detector

The Phase Sensitive Detector is a linear multiplier which mixes the amplified and filtered signal with the reference sine wave. The difference frequency component of the multiplier's output is a dc signal that is proportional to the amplitude of the signal. The low-pass filter which follows can reject any frequency components which are more than a fraction of a Hertz away from the signal frequency.

DC Amplifier and System Gain

A dc amplifier amplifies the output of the low pass filters. The total system gain is the product of the ac and dc amplifier gains. The partitioning of the system gain between these two amplifiers will affect the stability and dynamic reserve of the

instrument. The output is most stable when most of the gain is in the ac amplifier, however, high ac gain reduces the dynamic reserve.

For the most demanding applications, the user may specify how the system gain is partitioned. However, with prefilters that are able to provide up to 100 dB of dynamic reserve, and with chopper stabilized dc amplifiers, most users will not be concerned with just how the system gain is allocated.

A Microprocessor Based Design

The instrument was designed to take full advantage of its microprocessor controller. This approach provides several key advantages... The instrument may be interfaced to a laboratory computer over the RS-232 and IEEE-488 interfaces. In addition to simply reading data from the lock-in, the computer can control all of the instrument settings with simple ASCII commands.

A key feature of the instrument is its four A/D inputs and two D/A outputs. These analog I/O ports may be used to read and supply analog voltages to an experiment or measurement. All of the input and output ports have a full scale range of ± 10.24 VDC with 2.5 mV resolution and 0.05% accuracy.

Computer control can eliminate set-up errors, reduce tedium, and allow more complete data recording and post measurement analysis. Also, the computer can play an active role in the data acquisition by adjusting gains, etc., in response to changing measurement conditions.

The microprocessor based design eliminates many analog components to improve performance, reliability, and reduce cost. Each unit is computer calibrated at the factory, and calibration constants are placed in the instrument's read-only memory. The SR510 has only one-fifth of the analog trimming components that are found in older designs.

Creative programming on the user's part can extend the instrument's capabilities. For example, the lab computer can instruct the lock-in to measure the signal at zero and ninety degrees of phase. Doing so allows both the amplitude and phase of the signal of interest to be measured.

Circuit Description

Introduction

The SR510 Lock-in amplifier is an integrated instrument combining state of the art analog design with advanced microprocessor based control and interfaces. This discussion is intended to aid the advanced user in gaining a better understanding of the instrument.

The SR510 has 8 main circuit areas: the signal amplifier, the reference oscillator, the demodulator, the analog output and controls, the front panel, the microprocessor, the computer interfaces, and the power supplies. With the exception of the front panel and a few pieces of hardware, the entire lock-in is built on a single printed circuit board. Each section is isolated from the others as much as possible to prevent spurious signal pickup. To aid in the location of individual components, the first digit of each part number generally refers to the schematic sheet number on which it occurs. To help find the part on the circuit board, the parts list includes a location on the circuit board for each component.

Signal Amplifier

Assuming the input selector switch is set to a voltage input, the signal is coupled in through capacitors C101 and C102. The input impedance is set by the 100 M Ω resistors R101 and R102 over the operating frequency range. Note that R103 isolates the signal shields from the instrument ground forcing the return signal current back along the cable shields. The signal is then applied differentially to the gates of Q101. Q101 is a low noise dual JFET. The drain current through R109 is kept constant by 2/2 U101. The other half of U101 maintains a virtual null between the drains of the two transistors and thus an identical current flows through R110. Any input that would cause a differential between the two drains is amplified by 1/2 U101 and fed back via R112 in such a way as to reduce that differential. Since the two transistors are at equal and constant currents, their gate-source potentials are constant. Thus, the fed back signal which appears at the source of the right hand transistor exactly matches the input. Likewise, this signal will match the input to the left hand transistor but with the opposite sign. Resistors R112 and R110 attenuate the fed back signal from the output of U101 resulting in a differential input, single ended output, fixed gain of 10 amplifier. P101 adjusts the current balance

between the two transistors and therefore their gain match and common mode rejection.

The output of the pre-amp is scaled by resistors R119-R122 and analog switch U103 which make up a 1-2-5-10 attenuator. The signal is then amplified by 2/2 U102. Input overload is sensed through diodes D101-D104.

Current Amplifier

When the input selector is set to current, the input to the pre-amp comes from the output of the current to voltage converter, 1/2 U102. U102 is a low voltage-noise bipolar op amp. Q102 serves as an input buffer to provide low current-noise to the input. The op amp always maintains a null at the gates of Q102 thus providing an input impedance of 1K Ω (R128). The input current is converted to a voltage by R135 and the op amp. Q103 bootstraps out the summing junction capacitance of Q102.

Notch Filters

U107 is a high Q, line frequency, notch filter which can be switched in and out by analog switch 1/4 U106. The frequency and depth of the filter can be adjusted with P102 and P103. Resistors R146-R149 and switch U108 make up a selectable attenuator. U118 is a line frequency 2nd harmonic notch filter selected by 2/4 U106. P104 and P105 adjust the frequency and depth. The second notch filter has a gain of 3 and its output is scaled by U110 and resistors R156-R159. The signal then takes two paths; to inverting amplifier U111 and to the input of the tracking bandpass filter. U111 has the same gain as the bandpass filter. The output of either U111 or the bandpass filter is selected by 3/4 U112 and 4/4 U106 and amplified by U113. U114 and U115 provide a last stage of gain and scaling and the final output is ac coupled and buffered by 4/4 U208.

Bandpass Filter

The bandpass filter is a three op amp state-variable active filter. 3/4 of U201 make up the three op amps of the standard filter. U203, U204, and U205 are analog switches which select the feedback capacitors for the 5 decades of operation. The two halves of U202 are matched transconductance amplifiers operating as programmable, voltage controlled, current sources which take the place of the normal, frequency setting, resistors. A voltage proportional to the

reference frequency is converted into a current by 1/4 U208 and Q201. This current programs the effective "resistance" of the two transconductance amplifiers and thus, tunes the center frequency of the filter to follow the reference. The output of the filter is buffered by 4/4 U201. The two remaining op amps in U208 are used to detect signal overloads throughout the amplifier chain.

Reference Oscillator

The reference input signal is ac coupled and buffered by U301. R378 isolates the reference shield from the lock-in ground to prevent ground loop currents. 1/2 U303 switches the polarity of the reference reaching comparator U304. U305 is a retriggerable one-shot whose output indicates a no reference condition if no comparator pulses are generated for 3 seconds.

U309 is a dual transconductance amplifier in a triangle VCO configuration. U310 selects the integrating capacitor depending on the frequency range. The VCO frequency is determined by the programming current through R318 and therefore by the output voltage of U308. C306 is the phase-locked loop low pass filter which is buffered by U308. U307 is a programmable current source used to charge and discharge C306. The amount of current available to U307 is determined by the VCO control voltage, thus, the tracking rate of the VCO is proportional to the VCO frequency. The triangle output is compared to a constant voltage by U314. 1/2 U313 and 1/2 U312 select f or $2f$ operation. This signal is fed back to the phase detector U306 to be compared with the reference output of U304. U315 compares the triangle output with a variable voltage to generate a square-wave signal phase-shifted from the reference. The range of this fine phase shift control is -5 to 95 degrees.

The output of U315 serves as the reference to a second phase-locked loop. This second PLL uses a similar proportional tracking triangle VCO. Comparator U329 looks at the square wave output of the VCO while comparator U328 detects the zero crossings of the triangle output. 1/2 U327 selects one these comparators to feed back to the phase detector, U316. Since the square and triangle outputs are in quadrature, U327 selects either an in-phase or quadrature relationship between the two VCO's. Thus, the output of the second VCO can be shifted from -5 to 185 deg from the reference.

The triangle output is divided by R363 and R362 before reaching transconductance amplifier 2/2 U322. The amplitude of the triangle input to this amplifier is enough to just saturate the input and provide a sine wave output. 2/2 U325 then amplifies the sine wave before it goes to the demodulator. U324 is a comparator which generates a square wave in-phase with the sine output. U326 divides the frequency of the square wave by 8 and 2/2 U327 selects the frequency of the square wave chopper.

Demodulator and Low Pass Amplifier

Amplifier U402 and switch U401 select the polarity of the reference sine wave. This allows phase shifts up to 360 degrees from the reference input. The sine wave is ac coupled by U403 and inverted by U404. U405 selects alternating polarities of the sine wave at the chopper frequency, $f/2$ or $f/16$. This chopped sine wave is then multiplied by the output of the signal amplifiers by the analog multiplier U406. The synchronous output of the multiplier that corresponds to the in-phase signal is a square wave at the chopper frequency. The output is ac coupled by U407 to remove the dc offset of the multiplier. U408 inverts the signal and U405 chops the square wave to recover a dc output. U409 buffers the chopper output before the first low pass time constant. Op amps U416 and 2/2 U402 make up the first low pass amplifier with relays U411-U415 and U417 selecting the time constant. The second low pass amplifier is U419. Analog switch U418 selects the time constant and gain. The full scale output of U418 is 5 volts.

Analog Output and Control

The dc output of the demodulator/low pass amplifiers is passed to the reference input of multiplying DAC U502. The DAC is programmed with the appropriate attenuation to calibrate the overall gain of the lock-in. Every gain setting in each dynamic reserve is calibrated independently and the proper attenuations are stored in the unit's ROM.

A/D's

Analog multiplexer U504 selects the signal to be digitized by the microprocessor. This signal can be either the lock-in output or one of the four independent analog inputs buffered by U501. These general purpose inputs are located on the rear panel of the instrument. The selected signal

is sampled and held on capacitor C502 and buffered by 4/4 U508. The A/D conversion is done by successive approximation using comparator U514 to compare the sampled and held signal with known outputs of U505, a 12 bit DAC with a precision reference. Note that the output of U506, an 8 bit DAC is summed with the output of U505. This 8 bit DAC corrects for offset errors which can accumulate as analog voltages pass through buffers, S/H amps, and comparators. These offsets are measured after each unit is manufactured, and values to compensate for these offsets are placed in the unit's ROM. The polarity of the offset-corrected 12 bit DAC is set by 2/4 U511 and the SIGN bit yielding 13 bits of resolution from -10.24 to +10.24 volts.

D/A's

In addition to providing reference voltages for A/D conversion, the DAC output voltage may be multiplexed by U507 to one of eight sample and hold amplifiers which provide analog output and control voltages. The microprocessor refreshes each S/H amplifier every few milliseconds to prevent droop. Two of these outputs are available as general programmable outputs on the rear panel. Two are used to program the band pass filter and the reference oscillator phase shift. One output is subtracted from the lock-in output in U508 to provide a variable offset and another is the rms noise output. Two outputs are not used.

Expand

Amplifier 3/4 U511 is the X10 expand amplifier. U516 selects the display and output, either the output of U511 or one of the DAC outputs. Overload is detected by 1/4 and 2/4 U515 and the signal monitor is driven by 3/4 U515.

Front Panel

There are 62 led's on the front panel controlled by 8 serial-in, parallel-out shift registers. All 8 shift registers are written to simultaneously and 8 consecutive write operations are required to set the LED's. The liquid crystal displays are managed by the display controllers, U601 and U602. Exclusive-or gates U605 and U606 drive the left over segments. Octal latch U604 provides the logic bits for these extra segments as well as the keyboard row strobes. U603 reads the switch closures as the rows are scanned.

Microprocessor Control

The microprocessor, U701, is a Z80A CPU clocked at 4 Mhz. 16K bytes of firmware are stored in the ROM, U702. U703 is a 2K byte static RAM, backed-up by a lithium battery. A power-down standby circuit, Q701, preserves the RAM contents when the power is turned off. The battery has a life of 5-10 years. The CPU has power-up and power-down resets to prevent erroneous execution during turn-on or short sags in the line voltage.

U704 is a 3-channel counter. One channel generates the baud rate for the RS232 interface while the other two are used to measure the frequency or period of the reference oscillator. U709 provides a gate pulse to counter 0. Multiplexer U708 selects whether the gate is a single period of the reference (period measurement) or a gate of known duration (frequency measurement). Counter 1 is a programmable divide by N counter whose output is either counted for one period of the reference, or, generates the gate pulse during which reference pulses are counted.

I/O addresses are decoded by U705, U706, and U707. The microprocessor controls the lock-in functions through I/O ports U714-U721. U713 generates an interrupt to the CPU every 4 msec to keep the microprocessor executing in real time.

RS232 Interface

The RS232 interface uses an 8251A UART, U801, to send and receive bytes in a bit serial fashion. Any standard baud rate from 300 to 19.2K baud may be selected with the configuration switches. The X16 transmit and receive clock comes from counter 2 of U704. The RS232 interface is configured as DCE so that a terminal may be connected with a standard cable. When a data byte is received by the UART, the RxRDY output interrupts the CPU to prevent the data from being overwritten.

GPIB Interface

The interface to the GPIB is provided by U802, an MC68488 General Purpose Interface Adapter (GPIA). The GPIB data and control lines are buffered by drivers U808 and U811. Because the GPIA uses a 1 MHz clock, wait states are provided by U805 to synchronize I/O transactions with the 4 MHz CPU. The GPIA interrupts the CPU

whenever a GPIB transaction occurs which requires the CPU's response. (The GPIB address is set by switch bank SW1.)

Power Supplies

The line transformer provides two outputs, 40VAC and 15VAC, both center-tapped. The transformer has dual primaries which may be selected by the voltage selector card in the fuse holder. The 15VAC is rectified by diode bridge BR2 and passed to 5V regulator U909. The output of U909 powers the microprocessor and its related circuitry. The 40VAC output is half-wave rectified by BR1 and regulated by U901 and U902 to provide +20V and -20V. These two dc voltages are then regulated again by 15V regulators U903-U908. Each 15V regulator powers a separate section of the lock-in to reduce coherent pick up between sections. U911 and U912 provide plus and minus 7.5V and U910 generates +5V for the analog circuits.

Internal Oscillator

The internal oscillator is on a small circuit board attached to the rear panel of the instrument. Local regulators, Q1 and Q2, provide power to the board. The VCO input is internally pulled up by R12. This pulls the VCO input to 10V when the VCO input is left open. 2/4 U1 translates the VCO input voltage to provide a negative control voltage to U2, the function generator. P3 adjusts the VCO calibration. U2 is a sine wave generator whose frequency range is selected by the VCO Range switch and capacitors, C4-C6. P2 adjusts the sine wave symmetry at low frequencies. 4/4 U1 buffers the output of U2. P1 adjusts the amplitude of the output sine wave. The output amplitude on the Sine Out is selected by the amplitude switch. The output impedance is 600Ω.

Calibration and Repair

This section details calibration of the instrument. Calibration should only be done by a qualified electronics technician.

***** WARNING *****

The calibration procedure requires adjusting the instrument with power applied and so there is a risk of personal injury or death by electric shock. Please be careful.

Most of the calibration parameters are determined by a computer aided calibration procedure after burn-in at the factory. These calibration parameters are quite stable and so will not need to be adjusted. Calibration parameters which may need field adjustment are detailed below.

Multiplier Adjustments

On the **HIGH** dynamic reserve setting, there can be some reference frequency feedthrough. This section describes how to null this unwanted output.

This adjustment requires an oscilloscope and a signal generator which can provide a 500Hz reference signal.

Allow the unit to warm up for about 1 hour.

Reset the unit by turning it off and back on while holding the REL key down.

Select voltage input **A** and connect a 50 Ω terminator or shorting plug to the **A** input BNC connector. Connect the 500 Hz reference signal to the reference input. Set the **SENSITIVITY** to **1mV** and **DYN RES** to **HIGH**. The **PRE TIME CONSTANT** should be set to **1mS** and the **POST TIME CONSTANT** to **NONE**. Connect the scope to the **OUTPUT** on the front panel. Set the scope to 2V/div and 5mS/div. Externally trigger the scope using the reference input signal.

After about 60 seconds, the scope display should show a 500 Hz sine wave on a 30 Hz (500/16 Hz) square wave. Remove the 4 screws holding the top panel on. Slide the top panel back about half way. Using a small screwdriver, adjust P402 at location D2 to minimize the 500 Hz output. Adjust P403 at location C2 to minimize the 30 Hz output.

Now set the both time constants to 1S. Adjust P404 at location F4 to zero the output. This adjustment has a range of 20% of full scale on the HIGH dynamic reserve setting. (2% on NORM and 0.2% on LOW). This zeroes the DC output of the unit on all dynamic reserve ranges.

Replace the top panel.

Amplifier and Filter Adjustments

This section describes how to adjust the Common Mode Rejection and Line notch filter frequencies. An oscilloscope and a signal generator which can provide an accurate line frequency and twice line frequency signal are required.

Allow the unit to warm up for about 1 hour.

Reset the unit by turning it off and back on while holding the REL key down.

Remove the 4 screws holding down the top panel. Slide the panel back about halfway.

CMRR

Set the reference frequency to 100 Hz. It is convenient to use the SYNC output of the signal generator as the reference input if it is available. Connect the sine output of the signal generator to the **A** input and set the input selector to **A**. With the **SENSITIVITY** at **100mV**, adjust the amplitude of the input signal to 100mV (full scale).

Now set the input selector to **A-B** and connect the signal to both the **A** and **B** inputs. Set the **SENSITIVITY** to **20 μ V**, the **DYN RES** to **NORM** and the **BANDPASS** filter **IN**. Connect the scope to the **SIGNAL MONITOR** output on the rear panel. Set the scope to AC coupled, 0.2V/div, and 10mS/div. Externally trigger the scope using the reference input signal.

The CMRR is adjusted by the single turn potentiometer located at A1 under the single hole at the front of the signal shield. (The shield is the aluminum box on the left side of the main board). Using a small screwdriver, carefully adjust the pot to minimize the 100 Hz output on the scope. After nulling the output, set the sensitivity to **2 μ V** and null the output again.

Notch Filters

Set the reference frequency to 60.0 Hz (50.0 Hz). It is convenient to use the SYNC output of the signal generator as the reference input if it is available. Connect the sine output of the signal generator to the **A** input and set the input selector to **A**. With the **SENSITIVITY** at **100mV**, adjust the amplitude of the input signal to 100 mV (full scale).

Set the **LINE NOTCH** to **IN**, the **SENSITIVITY** to **10mV**, and the **DYN RES** to **LOW**. Connect the scope to the **SIGNAL MONITOR** output on the rear panel. Set the scope to AC coupled, 0.2V/div, 10mS/div. Trigger the scope externally using the reference input signal.

The **LINE NOTCH** frequency and depth are adjusted by the pair of 20 turn potentiometers located under the middle two holes in the signal shield (row 4 on the circuit board). Using a small screwdriver, carefully adjust one pot until the line output on the scope is minimized. Then adjust the other pot until the output is minimized. Iterate between the two pots until there is no further improvement. Set the **SENSITIVITY** to **5mV**, **2mV**, and **1mV**, repeating the adjustments at each sensitivity.

Repeat this procedure using a reference frequency of 120.0 Hz (100.0 Hz) and the **LINEX2 NOTCH** filter. The **LINEX2 NOTCH** is adjusted by the pair of 20 turn potentiometers located under the back two holes in the signal shield (row 5 on the circuit board).

Replace the top panel.

Replacing the Front-End Transistors

Both the voltage and current front end transistors (Q101 and Q102) are 2N6485 (IMF6485) dual JFETS. These transistors are selected at the factory to meet the noise specifications.

This section outlines their replacement procedure in the event that they become damaged during use.

- 1) **Remove the AC power cord from the unit.**
- 2) Remove top and bottom panels.
- 3) Release the signal shields by removing the four screws which hold it onto the circuit board. Be careful not to lose the nuts. Carefully slide the shields back and then lift them out.
- 4) The input transistors are located on the main board, just behind the input selector switch. Q101 is the voltage (A, A-B) front end, and Q102 is the current (I) front end. Desolder and replace the appropriate transistor.
- 5) Replace the signal shields. Be careful to check that the shields do not touch any circuit board traces around their edges.
- 6) Replace the top and bottom panels.
- 7) If Q101, the voltage front end has just been replaced, the Common Mode Rejection needs to be readjusted using the procedure described in the Amplifier Adjustments section.

Appendix A: Noise Sources and Cures

Noise, random and uncorrelated fluctuations of electronic signals, finds its way into experiments in a variety of ways. Good laboratory practice can reduce noise sources to a manageable level, and the lock-in technique can be used to recover signals which may still be buried in noise.

Intrinsic Noise Sources

Johnson Noise. Arising from fluctuations of electron density in a resistor at finite temperature, these fluctuations give rise to a mean square noise voltage,

$$\overline{V^2} = \int 4kT \operatorname{Re}[Z(f)] df = 4kTR \Delta f$$

where k =Boltzman's constant, $1.38 \times 10^{-23} \text{J}/^\circ\text{K}$; T is the absolute temperature in Kelvin; the real part of the impedance, $\operatorname{Re}[z(f)]$ is the resistance R ; and we are looking at the noise source with a detector, or ac voltmeter, with a bandwidth of Δf in Hz. For a $1 \text{M}\Omega$ resistor,

$$(\overline{V^2})^{1/2} = 0.13 \mu\text{V}/\sqrt{\text{Hz}}$$

To obtain the rms noise voltage that you would see across this $1 \text{M}\Omega$ resistor, we multiply $0.13 \mu\text{V}/\sqrt{\text{Hz}}$ by the square root of the detector bandwidth. If, for example, we were looking at all frequencies between dc and 1 MHz, we would expect to see an rms Johnson noise of

$$(\overline{V^2})^{1/2} = 0.13 \mu\text{V}/\sqrt{\text{Hz}} * (10^6 \text{ Hz})^{1/2} = 130 \mu\text{V}$$

' $1/f$ Noise'. Arising from resistance fluctuations in a current carrying resistor, the mean squared noise voltage due to ' $1/f$ ' noise is given by

$$\overline{V^2} = A R^2 I^2 \Delta f / f$$

where A is a dimensionless constant, 10^{-11} for carbon, R is the resistance, I the current, Δf the bandwidth of our detector, and f is the frequency to which the detector is tuned. For a carbon resistor carrying 10 mA with $R = 1 \text{k}$, $\Delta f = f = 1 \text{Hz}$, we have

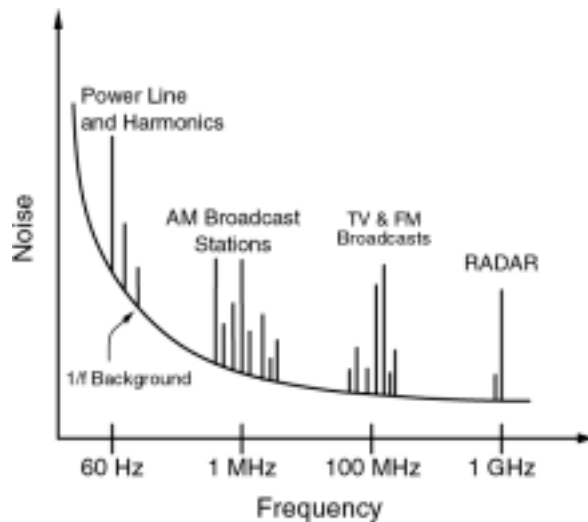
$$V_{\text{noise}} = 3 \mu\text{V}_{\text{rms}}$$

And Others. Other noise sources include flicker noise found in vacuum tubes, and generation and recombination noise found in semiconductors.

All of these noise sources are incoherent. Thus, the total noise is the square root of the sum of the squares of all the incoherent noise sources.

Non-Essential Noise Sources

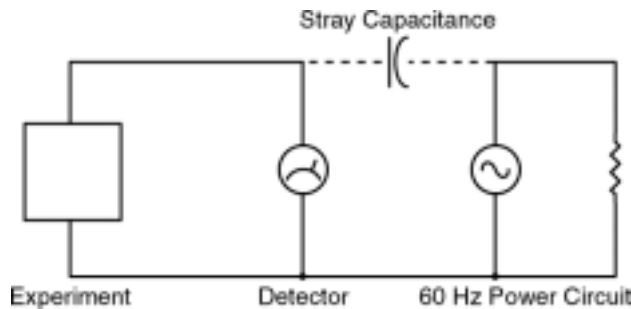
In addition to the "intrinsic" noise sources listed above there are a variety of "non-essential" noise sources, i.e. those noise sources which can be minimized with good laboratory practice. It is worthwhile to look at what might be a typical noise spectrum encountered in the laboratory environment:



Noise Spectrum

Some of the non-essential noise sources appear in this spectrum as spikes on the intrinsic background. There are several ways which these noise sources work their way into an experiment.

Capacitive Coupling. A voltage on a nearby piece of apparatus (or operator) can couple to a detector via a stray capacitance. Although C_{stray} may be very small, the coupled in noise may still be larger than a weak experimental signal.



Capacitive Noise Coupling

To estimate the noise current through C_{stray} into the detector we have

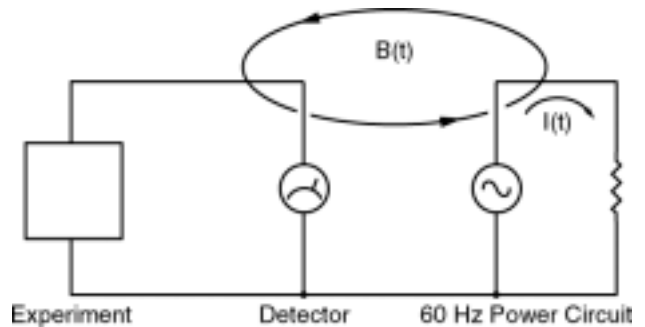
$$i = C_{\text{stray}} \frac{dV}{dt} = j\omega C_{\text{stray}} V_{\text{noise}}$$

where a reasonable approximation to C_{stray} can be made by treating it as parallel plate capacitor. Here, ω is the radian frequency of the noise source (perhaps $2 \cdot \pi \cdot 60\text{Hz}$), V_{noise} is the noise voltage source amplitude (perhaps 120 VAC). For an area of $A = (.01 \text{ m})^2$ and a distance of $d = 0.1\text{m}$, the 'capacitor' will have a value of 0.009 pF and the resulting noise current will be 400pA. This meager current is about 4000 times larger than the most sensitive current scale that is available on the SR510 lock-in.

Cures for capacitive coupling of noise signals include:

- 1) removing or turning off the interfering noise source,
- 2) measuring voltages with low impedance sources and measuring currents with high impedance sources to reduce the effect of i_{stray} ,
- 3) installing capacitive shielding by placing both the experiment and the detector in a metal box.

Inductive Coupling. Here noise couples to the experiment via a magnetic field:



Inductive Noise Coupling

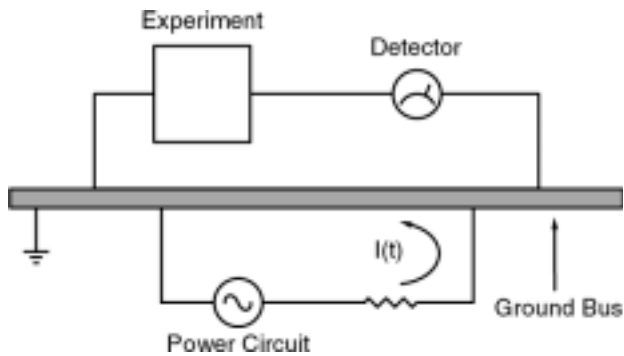
A changing current in a nearby circuit gives rise to a changing magnetic field which induces an emf in the loop connecting the detector to the experiment. ($\text{emf} = d\Phi_B/dt$.) This is like a transformer, with the experiment-detector loop as the secondary winding.)

Cures for inductively coupled noise include:

- 1) removing or turning off the interfering noise source (difficult to do if the noise is a broadcast station),
- 2) reduce the area of the pick-up loop by using twisted pairs or coaxial cables, or even twisting the 2 coaxial cables used in differential hook-ups,
- 3) using magnetic shielding to prevent the magnetic field from inducing an emf (at high frequencies a simple metal enclosure is adequate),
- 4) measuring currents, not voltages, from high impedance experiments.

Resistive Coupling (or 'Ground Loops').

Currents through common connections can give rise to noise voltages.

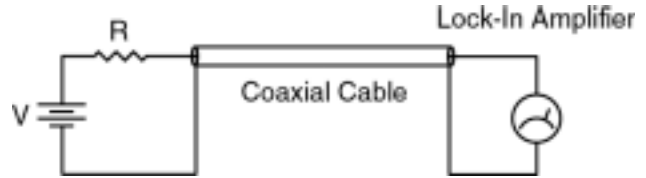


Resistive Coupling

Here, the detector is measuring the voltage across the experiment, plus the voltage due to the noise current passing through the finite resistance of the ground bus. This problem arises because we have used two different grounding points which are not at exactly the same potential. Some cures for ground loop problems include:

- 1) grounding everything to the same physical point,
- 2) using a heavier ground bus to reduce the potential drop along the ground bus,
- 3) removing sources of large currents from ground wires used for small signals.

Microphonics provides a path for mechanical noise to appear as electrical noise in a circuit or experiment. Consider the simple circuit below:



The capacitance of a coaxial cable is a function of its geometry so mechanical vibrations will cause the cable capacitance to vary with time. Since $C=Q/V$, we have

$$C \frac{dV}{dt} + V \frac{dC}{dt} = \frac{dQ}{dt} = i$$

so mechanical vibrations will cause a dC/dt which in turn gives rise to a current i , which will affect the detector. Ways to eliminate microphonic signals include:

- 1) eliminate mechanical vibrations,
- 2) tie down experimental cables so they will not sway to and fro,
- 3) use a low noise cable that is designed to reduce microphonic effects.

Thermocouple Effect. The emf created by dissimilar metal junctions can give rise to many microvolts of dc potential, and can be a source of ac noise if the temperature of the junction is not held constant. This effect is large on the scale of many low level measurements.

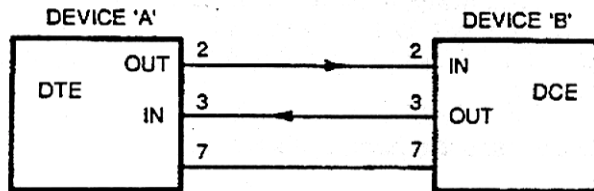
Appendix B: Introduction to the RS232

The 'RS232' is a standard for bit serial asynchronous data communication. The standard defines the format for data transmission, the electrical specifications for the signal levels, and the mechanical dimensions of connectors.

Despite the definition of a standard, there are so many permutations of control lines, data formats, and transmission speeds, that getting two RS232 devices to communicate usually requires some work.

In this section, we will provide some basic information to aid you in connecting your RS232 device to the SR510 Computer Interface.

CASE 1 - The Simplest Configuration.

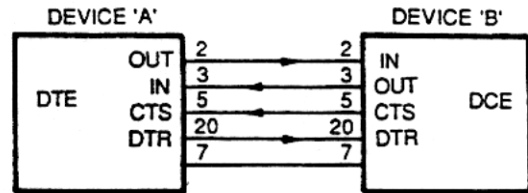


In this case, one wire is used to send data from device A to device B and another wire is used to send data from device B to device A. Notice that pin 2 is an output on device A and an input on device B. (It is good practice to run the ground, pin 7, between the devices as well). The RS232 defines two types of devices; DTE (Data Terminal Equipment) and DCE (Data Communications Equipment.) An RS232 port on a computer may be either a DTE or DCE but nearly every terminal with an RS232 port is a DTE. RS232 ports on a computer which are intended to connect to a modem, such as the COM1: port on the IBM PC, are DTE. The SR530 is configured as DCE, and so it may be directly connected to ASCII terminals and to the COM: ports on IBM PC's and compatibles.

As an example, consider connecting an RS232 ASCII computer terminal to the SR510 using a 2 wire link. The terminal is a DTE and the SR510 is a DCE. To operate correctly, the SR510 and the terminal must have the same settings for baud rate, parity, and number of stop bits. The control lines in the RS232 Standard, which are used to indicate that a device is ready to accept data, must also be connected correctly at the terminal end. If

the terminal responds to a control line, it will believe that the SR510 is not ready to accept data (because the line is not passed in this example) and will therefore not send any data.

CASE 2 - RS232 with Control Lines.



The data lines are the same as in Case 1. In addition to the data lines, there are two control lines used:

CTS - Pin 5

"Clear to send" is a signal asserted by the DCE to tell the DTE that the DCE is ready to receive data.

DTR - Pin 20

"Data Terminal Ready" is a signal asserted by the DTE to tell the DCE that the DTE is ready to receive data.

The SR510 responds to the control lines as follows:

- 1) If the lines are not connected, the SR510 assumes that you are ready to receive data.
- 2) Data will not be transmitted from the SR510 if the DTR line (pin 20) is low. This is useful in the case when your program is not yet ready to receive data. If data transmission is not suspended, then data may be overwritten in your computer's UART (as it is not being retrieved by the program and so will be lost.) When this happens, the 'over-run' flag will be set in your computer's UART and it may be recognized by the operating system, generating an error message such as "I/O Device Error" (See the "W" command in the SR510 Command List for another way to slow data transmission.)

Baud Rate

The RS232 baud rate of the SR510 is switch selectable from 300 to 19.2K baud (see configuration switch setting in the front of this manual.) 19.2K baud means that data is transmitted at 19,200 bits/second. With one start bit, 2 stop bits, 8 data bits, and no parity bits, each ASCII character requires 573 μ sec to be

transmitted (11bits/19.2K baud.) The typical data string `5.1270<cr>` has 7 characters, requiring 4 msec to be sent.

Stop Bits

Generally, selection of 2 stop bits will result in fewer data transmission errors.

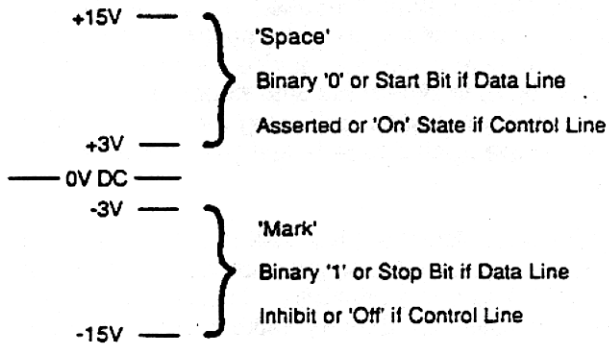
Parity

Parity

The Parity bit provides a check against faulty data transfer. It is not commonly used in local data transmission environments. If the parity option is selected, the SR510 will transmit 8 data bits and a parity bit, however, no parity check of incoming data is done.

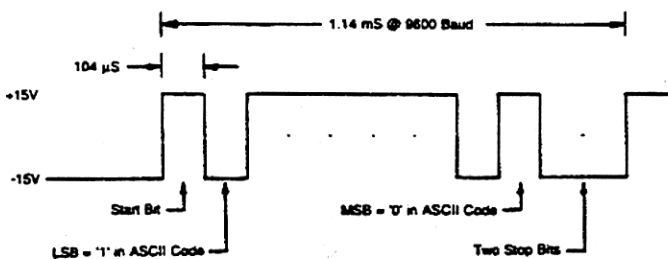
Voltage Levels

The RS232 uses bipolar voltage levels:



The control lines use positive logic. For example, the DCE tells the DTE that it is clear to send (CTS) by placing > +3 VDC on pin 5 of the interface. Similarly, the DTE can tell the DCE that it is not ready by placing -3 VDC on pin 20 (DTR) of the interface.

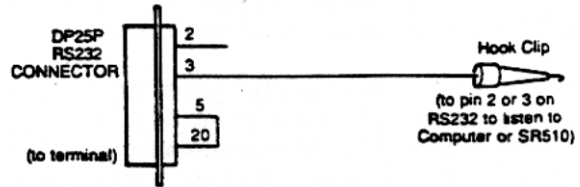
The data lines, pins 2 and 3, use negative logic. A 'zero' bit is represented by a positive voltage and a 'one' bit is represented by a negative voltage. A start bit is a positive voltage and a stop bit is a negative voltage. Data is transmitted with the least significant bit first. The letter 'A', which has the ASCII code 41H (0100 0001), would appear as follows:



If a parity option was selected, the parity bit would be sent after the 8th data bit, but before the first stop bit.

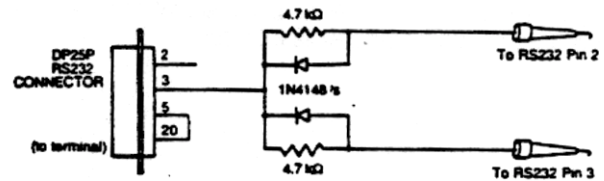
Final Tip

When you are trying to get the RS232 to work with your computer, it is helpful to be able to 'eavesdrop' on the RS232 data lines going between the SR510 and the computer. This can be done with an ASCII RS232 terminal and the following connector:



To test the connector, place the hook clip on pin 2 of the same connector (shorting pin 2 to pin 3.) Now, when you type at the terminal keyboard, data transmitted from pin 2 is received at pin 3 and displayed on the terminal screen. To use as a debugging tool, attach the hook clip to either pin 2 or pin 3 of the RS232 cable on the SR510 to show either data sent from the Computer or the SR510. The baud rate, parity, and stop bits of the terminal must match those of the SR510 and the computer. If your terminal has a mode which will display control characters (such as carriage returns and line feeds) it is helpful to operate in that mode.

A variant of the 'eavesdropping' approach is diagrammed below:



With this cable arrangement, the ASCII terminal can listen to the data passing in both directions. The only drawback is that the terminal will display garbled data if both devices transmit data at the same time.

Appendix C: Introduction to the GPIB

The IEEE-488 Standard specifies the voltage levels, handshake requirements, timing, hardware details, pinout and connector dimensions for a 16 line, bit parallel bus. Many instruments may be connected in series to communicate over the same cable. Because the bits are passed in parallel, the GPIB is faster than the RS232.

The controller (generally your computer) coordinates data transfer on the bus by designating all participating instruments (including itself) as either a talker or a listener. Listeners can receive data placed on the bus by the Talker. Devices can have the capacity to operate in either mode. The address of each device is set by switches in the device and must be between 0 and 30.

Bus Description

Byte Transfer Control Group. This consists of 3 negative logic lines that implement the GPIB handshaking. The NRFD (Not Ready For Data) line is held low by any designated listener who is not ready to accept data. When every listener is ready, the line goes high and the talker may release data to the bus. After data is on the bus, the talker pulls the DAV (Data Valid) line down. At this point, each listener retrieves the data. Before and during the retrieval of the data, the listener holds the NDAC (No Data Accepted) line down. When every listener has received the data, the NDAC line goes high, allowing the talker to release the DAV line high. Finally, the listener pulls down the NDAC line until another transfer is initiated.

Data Bus: There are eight data lines which use negative logic and pass the bits of each byte in parallel.

General Interface Lines: These five lines operate independently of the handshake lines and use negative logic.

- 1) The EOI (End or Identify) line is used by the talker to designate the end of message.
- 2) The SRQ (Service Request) line is used by any device to ask for service. The controller can serial poll each device (each device returns an 8 bit status byte) to determine who needs attention. It can also do a parallel poll using the EOI and ATN lines where each device is assigned a single data line.
- 3) The ATN (Attention) line makes both talkers and listeners accept information and passes control of the DAV line to the controller. This line is used by the controller to identify talkers and listeners through their addresses.
- 4) The REN (Remote Enable) line changes the status of an instrument from local to remote.
- 5) The IFC (Interface Clear) line clears the bus of all data and activity.

Though GPIB is a very powerful interface, strict protocol must be observed for it to operate successfully.

Appendix D: Program Examples

All of the program examples which follow do the same thing, only the computer, language, or interface is changed. The programs read the Channel 1 and 2 Outputs and write the results to the computer screen. In addition, the X6 analog output port is ramped from 0 to 10V.

Program Example 1: IBM PC, Basic, via RS232

In this example, the IBM PC's ASYNC port (known as COM1: or AUX: to DOS users) will be used to communicate with the SR510. Only two wires between the IBM PC's ASYNC port and the SR510 are needed (pins #2 & #3 of the RS232), but pins 5,6,8 and 20 should be connected together on the connector at the IBM end.

```
10 ' EXAMPLE PROGRAM TO READ THE SR510 OUTPUT AND RAMP THE X6 ANALOG OUTPUT
20 ' USING IBM PC BASICA AND THE COM1: RS232 PORT.
30 '
40 '
50 ' ON THE REAR PANEL OF THE SR510, SET SWITCH #1 OF SW2 DOWN
60 ' AND ALL OTHER SWITCHES IN SW2 UP. (9600 BAUD, NO PARITY)
70 '
80 OPEN "COM1:9600,N,8,2,CS,DS,CD" AS #1
90 ' SET UP COM1: PORT TO 9600 BAUD, NO PARITY, 8 DATA BITS, 2 STOP BITS,
100 '          IGNORE CTS (CLEAR TO SEND), DSR (DATA SET READY),
110 '          AND CD (CARRIER DETECT).
120 '
130 PRINT #1, " " 'CLEAR UART BY SENDING SPACES
140 PRINT #1,"Z" 'RESET SR510
150 FOR I = 1 TO 200: NEXT I 'WAIT FOR RESET TO FINISH
160 '
170 X = 0 'INIT X6 OUTPUT TO ZERO
180 '
190 PRINT #1, "Q" 'READ OUTPUT
200 INPUT #1,V1 'INTO V1
210 '
220 PRINT "OUTPUT = ";V1
230 '
240 X =X + .0025 'INCREMENT X6 OUTPUT BY 2.5 MV
250 IF X > 10 THEN X = 0 'RESET X6 RAMP
260 PRINT #1, USING "X6, ##.###";X 'SET X6 OUTPUT VOLTAGE
270 '
280 GOTO 190 'LOOP FOREVER
```

Program Example 2: IBM PC, Microsoft Fortran v3.3, via RS232

Machine language routines to interface to the COM1: RS232 port are provided in the file RS232.OBJ found on the SR575 disk. These routines allow for simple interfacing to the SR510 at 19.2 kbaud from FORTRAN programs.

To use these routines, the file 'for232.inc' (also on the SR575 disk) must be 'included' in the FORTRAN source.

Only two wires between the IBM PC's ASYNC port and the SR530 are needed (pins #2 & #3 of the RS232), but pins 5,6,8 and 20 should be connected together on the connector at the IBM end.

```
$storage:2
$include: 'for232.inc'
[   for 232.inc must be included to call subroutines in RS232.OBJ
[   link with RS232.OBJ (on SR565 disk)
[   RS232.OBJ defines:
[       init
[           initializes COM1: to 19.2 kbaud
[       txstr (str) str is a string terminated with '$'
[           transmits str to COM1:
[       rxstr (str) str must be declared with length of 15 or greater
[           fills str with string received from COM1:
[       if and error occurs, nocom is called.
[       Nocom should be a FORTRAN subroutine in your program.

program test

character *20 str1,str2

[   Example program to read the SR510 outputs and ramp the
[   X6 analog output using Microsoft FORTRAN v3.3 and the
[   COM1: port. Set all switches in SW2 to UP on SR510
[   for 19.2 kbaud.

[   initialize COM1: port to 19.2 kbaud
[   call init
[   set character wait interval to zero
[   call txstr('w0$')

[   reset X6 to zero
[   x6=0.0

[   read output into string variable str1
20   call txstr('q$')
[   call rxstr(str1)

[   convert string variable into real variable v1
[   read (str1,1000) v1
1000 format (bn,f10.0)
```

```

[    print results to screen
    write(*,2000) v1
2000 format(' Output 1=',G10.3)

[    ramp x6 by 2.5 mV
    x6 = x6 + .0025
    if (x6.gt.10) x6 = 0.0

[    make x6 command string
    write (str2,3000) x6
3000 format ('x6,',f7.3,'$')
    call txstr(str2)

[    and loop forever
    goto 20

    stop
    end

[    *****
    subroutine nocom

[    in case of a timeout error, this routine runs
[    put your error handler here.

[    write(*,*) char (7)
    write(*,*)'RS232 Tiemout Error!'

    stop
    end

```


Program Example 3: IBM PC, Microsoft C v3.0, via RS232

Machine language routines to interface to the COM1: RS232 port are provided in the file RS232.OBJ found on the SR565 disk. These routines allow for simple interfacing to the SR510 at 19.2 kbaud from C programs.

To use these routines, the large model must be used. Compile with the /AL switch and link with RS232.OBJ.

Only two wires between the IBM PC's ASYNC port and the SR530 are needed (pins #2 & #3 of the RS232), but pins 5,6,8 and 20 should be connected together on the connector at the IBM end.

```
#include <stdio.h>

/*   Compile with >MSC program name/AL;
    link with RS232.OBJ (on SR565 disk)
    RS232.OBJ defines:
    init ()
                                Initializes COM1: to 19.2 kbaud
    txstr (str);
        Char *str; str must terminate with '$' char
        Sends string str to COM1:
    rxstr (str);
        str must be declared with 15 characters
        or more length.
        Fills str with string received from COM1:

    If an error occurs, your procedure nocom() is called.
    Nocom() must be a C procedure in your program.

    Example program to read the SR510 outputs and ramp the x6 analog
    Output using Microsoft C v3.0 (large model) and the COM1: port.
    Set all switches in SW2 to UP on SR510 for 19.2 kbaud.

*/

main ()
{
    char str1[20], str2[20];
    float v1,x;

    init ();
    txstr ("w0$");

    x = 0;
    while (1)
    {
        txstr ("q$");
        rxstr (str1);
        sscanf (str1, "%f", &v1);
    }
}
```

```

        x += 0.0025;          /* increment x6 output by 2.5 mV */
        if (x >= 10) x = 0;
        sprintf (str2, "X6,%f$", x); /* make x6 command string */
        txstr (str2);          /* send x6 command */

        /* print results to screen */
        printf ("Output = %10.36\n", v1);
    }
}
/* ***** */
nocom ()
/* error handling routine goes here */
{
    printf("RS232 Timeout Error\n");
    putch (7);
    exit ();
}

```

Program Example 4: IBM PC,Microsoft Basic, via GPIB

This program requires the Capital Equipment Corporation GPIB card for the IBM PC or XT. It has firmware in ROM to interface high level languages to the GPIB.

Subroutine calls in Microsoft BASIC are done to memory locations specified by the name of the subroutine. The address is relative to the segment address specified by the DEF SEG statement preceding CALL.

In this program, the CEC card's ROM starts at OC0000H, the system controller's address is 21, and the SR530 has been assigned as GPIB address 23.

To monitor the GPIB activity with an RS232 terminal, SW1-6 should be down, and the ASCII terminal should be attached to the rear panel RS232 connector.

```
10 ' EXAMPLE PROGRAM TO READ THE SR510 OUTPUT AND RAMP THE X6 ANALOG OUTPUT
20 ' USING IBM PC BASICA AND THE CAPITAL EQUIPMENT CORP. GPIB INTERFACE CARD
30 '
40 '
50 ' ON THE SR510 REAR PANEL, SET SWITCHES #4 AND #6 ON SW1 TO DOWN (DEVICE
60 ' ADDRESS = 23, RS232 ECHO ON) AND SWITCH # 1 ON SW2 TO DOWN (RS232 BAUD
70 ' RATE = 9600). ALL OTHER SWITCHES SHOULD BE UP.
80 ' NOTE THAT THE RS232 ECHO IS FOR DEBUGGING AND DEMONSTRATION PURPOSES,
90 ' UNDER NORMAL CONDITIONING, SWITCH # 6 OF SW1 SHOULD BE UP SINCE THE RS232
100 ' ECHO SLOWS DOWN THE GPIB INTERFACE.
110 '
120 DEF SEG = &HC000 'BASE ADDRESS OF CEC CARD
130 INIT=0: TRANSMIT=3: RECV=6: 'ADDRESSES OF CEC FIRM WARE ROUTINES
140 ADDR%=21: SYS%=0 'CONTROLLER ADDRESS
150 INZ$ = "IFC UNT UNL MTA LISTEN 23 DATA 'Z' 13"
160 '
170 Q$ = "IFC MTA LISTEN 23 DATA 'Q' 13"
180 X6$ = "IFC MTA LISTEN 23 DATA 'X6,"
190 LISN$ = "IFC UNT UNL MLA TALK 23"
200 '
210 '
220 CALL INIT(ADDR%,SYS%) 'INIT X6 OUTPUT TO ZERO
230 CALL TRANSMIT(INZ$,STATUS%) 'RESET SR510
240 GOSUB 540 'CHECK TRANSMIT STATUS
250 '
260 X = 0 'INIT X6 OUTPUT TO ZERO
270 '
280 CALL TRANSMIT(Q$,STATUS%) 'READ OUTPUT
290 GOSUB 540
300 GOSUB 450 'GET RESULT
310 V1 = VAL(ANS$) 'INTO V1
320 '
330 '
340 PRINT "OUTPUT = ";V1
350 '
360 X = X + .0025 'INCREMENT X6 OUTPUT BY 2.5 MV
370 IF X>10 THEN X = 0 'RESET RAMP
380 X$ = X6$ + STR$(X) + "' 13" 'MAKE X6 COMMAND STRING
```

```
390 CALL TRANSMIT (X$,STATUS%) 'SET NEW X6 VOLTAGE
400 GOSUB 540
410 '
420 GOTO 280 'LOOP FOREVER
430 '
440 ' GET AN ANSWER STRING FROM THE SR510
450 CALL TRANSMIT(LISN$,STATUS%) 'MAKE SR510 A TALKER
460 GOSUB 540
470 ANS$=SPACE$(10) 'INIT ANSWER STRING
480 CALL RECV(ANS$,LENGTH%STATUS%) 'READ RESULT INTO ANS$
490 GOSUB 540
500 RETURN
510 '
520 '
530 ' CHECK STATUS OF LAST TRANSMISSION FOR ERRORS
540 IF STATUS%=0 THEN RETURN 'STATUS OKAY
550 PRINT "STATUS CODE = ";STATUS%;" ON GPIB: ERROR"
560 STOP
```

Program Example 5: HP85 via GPIB

This program provides an example of an HP85 program using the GPIB interface which could be used to control the lockin amplifier. In this example, the SR510 should be addressed as device #16 by setting the switch bank SW1 per the instructions Page 7.

```
10    x=0
20    OUTPUT 716 ; "Q"
30    ENTER 716 : V1
40    DISP "OUTPUT = " : V1
50    X = X + .0025
60    IF X>10 THEN X+0
70    OUTPUT 716 : "X6," : X
80    GOTO 20
```

Documentation

This section contains the parts lists and schematics for the SR510 lock-in amplifier.

The first digit of any part number can be used to locate the schematic diagram for the part. For example, R415 is located on sheet 4 of the schematic diagrams.

SR510 PARTS LIST

Main Assembly PCB Parts List

| <u>NO</u> | <u>REF.</u> | <u>SRS part#</u> | <u>VALUE</u> | <u>DESCRIPTION</u> |
|-----------|-------------|------------------|-----------------|---|
| 1. | BR1 | 3-00062-340 | KBP201G/BR-81D | Integrated Circuit (Thru-hole Pkg) |
| 2. | BR2 | 3-00062-340 | KBP201G/BR-81D | Integrated Circuit (Thru-hole Pkg) |
| 3. | BT1 | 6-00001-612 | BR-2/3A 2PIN PC | Battery |
| 4. | C 101 | 5-00069-513 | .1U | Capacitor, Mylar/Poly, 50V, 5%, Rad |
| 5. | C 102 | 5-00069-513 | .1U | Capacitor, Mylar/Poly, 50V, 5%, Rad |
| 6. | C 103 | 5-00038-509 | 10U | Capacitor, Electrolytic, 50V, 20%, Rad |
| 7. | C 104 | 5-00008-501 | 22P | Capacitor, Ceramic Disc, 50V, 10%, SL |
| 8. | C 105 | 5-00002-501 | 100P | Capacitor, Ceramic Disc, 50V, 10%, SL |
| 9. | C 106 | 5-00008-501 | 22P | Capacitor, Ceramic Disc, 50V, 10%, SL |
| 10. | C 107 | 5-00030-520 | 2200U | Capacitor, Electrolytic, 16V, 20%, Rad |
| 11. | C 108 | 5-00030-520 | 2200U | Capacitor, Electrolytic, 16V, 20%, Rad |
| 12. | C 110 | 5-00038-509 | 10U | Capacitor, Electrolytic, 50V, 20%, Rad |
| 13. | C 111 | 5-00081-516 | 1P | Capacitor, Silver Mica, 500V, 5%, DM15 |
| 14. | C 116 | 5-00100-517 | 2.2U | Capacitor, Tantalum, 35V, 20%, Rad |
| 15. | C 117 | 5-00035-521 | 47U | Capacitor, Electrolytic, 25V, 20%, Rad |
| 16. | C 118 | 5-00100-517 | 2.2U | Capacitor, Tantalum, 35V, 20%, Rad |
| 17. | C 120 | 5-00100-517 | 2.2U | Capacitor, Tantalum, 35V, 20%, Rad |
| 18. | C 121 | 5-00035-521 | 47U | Capacitor, Electrolytic, 25V, 20%, Rad |
| 19. | C 122 | 5-00100-517 | 2.2U | Capacitor, Tantalum, 35V, 20%, Rad |
| 20. | C 123 | 5-00060-512 | 1.0U | Cap, Stacked Metal Film 50V 5% -40/+85c |
| 21. | C 124 | 5-00060-512 | 1.0U | Cap, Stacked Metal Film 50V 5% -40/+85c |
| 22. | C 125 | 5-00030-520 | 2200U | Capacitor, Electrolytic, 16V, 20%, Rad |
| 23. | C 126 | 5-00030-520 | 2200U | Capacitor, Electrolytic, 16V, 20%, Rad |
| 24. | C 127 | 5-00057-512 | .22U | Cap, Stacked Metal Film 50V 5% -40/+85c |
| 25. | C 128 | 5-00057-512 | .22U | Cap, Stacked Metal Film 50V 5% -40/+85c |
| 26. | C 129 | 5-00060-512 | 1.0U | Cap, Stacked Metal Film 50V 5% -40/+85c |
| 27. | C 131 | 5-00060-512 | 1.0U | Cap, Stacked Metal Film 50V 5% -40/+85c |
| 28. | C 132 | 5-00060-512 | 1.0U | Cap, Stacked Metal Film 50V 5% -40/+85c |
| 29. | C 133 | 5-00052-512 | .01U | Cap, Stacked Metal Film 50V 5% -40/+85c |
| 30. | C 134 | 5-00052-512 | .01U | Cap, Stacked Metal Film 50V 5% -40/+85c |
| 31. | C 136 | 5-00003-501 | 10P | Capacitor, Ceramic Disc, 50V, 10%, SL |
| 32. | C 137 | 5-00003-501 | 10P | Capacitor, Ceramic Disc, 50V, 10%, SL |
| 33. | C 145 | 5-00009-501 | 24P | Capacitor, Ceramic Disc, 50V, 10%, SL |
| 34. | C 146 | 5-00009-501 | 24P | Capacitor, Ceramic Disc, 50V, 10%, SL |
| 35. | C 147 | 5-00003-501 | 10P | Capacitor, Ceramic Disc, 50V, 10%, SL |
| 36. | C 148 | 5-00017-501 | 47P | Capacitor, Ceramic Disc, 50V, 10%, SL |
| 37. | C 201 | 5-00020-501 | 7.5P | Capacitor, Ceramic Disc, 50V, 10%, SL |
| 38. | C 202 | 5-00109-525 | 150P | Capacitor, Polystyrene, 50V, 5%, Ax |
| 39. | C 203 | 5-00048-566 | .0015U | Cap, Polyester Film 50V 5% -40/+85c Rad |
| 40. | C 204 | 5-00051-512 | .015U | Cap, Stacked Metal Film 50V 5% -40/+85c |
| 41. | C 205 | 5-00055-512 | .15U | Cap, Stacked Metal Film 50V 5% -40/+85c |
| 42. | C 206 | 5-00060-512 | 1.0U | Cap, Stacked Metal Film 50V 5% -40/+85c |
| 43. | C 207 | 5-00059-512 | .47U | Cap, Stacked Metal Film 50V 5% -40/+85c |
| 44. | C 208 | 5-00003-501 | 10P | Capacitor, Ceramic Disc, 50V, 10%, SL |
| 45. | C 209 | 5-00109-525 | 150P | Capacitor, Polystyrene, 50V, 5%, Ax |
| 46. | C 210 | 5-00048-566 | .0015U | Cap, Polyester Film 50V 5% -40/+85c Rad |
| 47. | C 211 | 5-00051-512 | .015U | Cap, Stacked Metal Film 50V 5% -40/+85c |
| 48. | C 212 | 5-00055-512 | .15U | Cap, Stacked Metal Film 50V 5% -40/+85c |
| 49. | C 213 | 5-00060-512 | 1.0U | Cap, Stacked Metal Film 50V 5% -40/+85c |

SR510 PARTS LIST

| <u>NO</u> | <u>REF.</u> | <u>SRS part#</u> | <u>VALUE</u> | <u>DESCRIPTION</u> |
|-----------|-------------|------------------|--------------|---|
| 50. | C 214 | 5-00059-512 | .47U | Cap, Stacked Metal Film 50V 5% -40/+85c |
| 51. | C 215 | 5-00060-512 | 1.0U | Cap, Stacked Metal Film 50V 5% -40/+85c |
| 52. | C 216 | 5-00056-512 | .1U | Cap, Stacked Metal Film 50V 5% -40/+85c |
| 53. | C 217 | 5-00038-509 | 10U | Capacitor, Electrolytic, 50V, 20%, Rad |
| 54. | C 218 | 5-00038-509 | 10U | Capacitor, Electrolytic, 50V, 20%, Rad |
| 55. | C 230 | 5-00055-512 | .15U | Cap, Stacked Metal Film 50V 5% -40/+85c |
| 56. | C 301 | 5-00060-512 | 1.0U | Cap, Stacked Metal Film 50V 5% -40/+85c |
| 57. | C 302 | 5-00003-501 | 10P | Capacitor, Ceramic Disc, 50V, 10%, SL |
| 58. | C 303 | 5-00009-501 | 24P | Capacitor, Ceramic Disc, 50V, 10%, SL |
| 59. | C 304 | 5-00110-525 | 560P | Capacitor, Polystyrene, 50V, 5%, Ax |
| 60. | C 305 | 5-00038-509 | 10U | Capacitor, Electrolytic, 50V, 20%, Rad |
| 61. | C 306 | 5-00060-512 | 1.0U | Cap, Stacked Metal Film 50V 5% -40/+85c |
| 62. | C 307 | 5-00049-566 | .001U | Cap, Polyester Film 50V 5% -40/+85c Rad |
| 63. | C 308 | 5-00058-512 | .33U | Cap, Stacked Metal Film 50V 5% -40/+85c |
| 64. | C 310 | 5-00008-501 | 22P | Capacitor, Ceramic Disc, 50V, 10%, SL |
| 65. | C 311 | 5-00008-501 | 22P | Capacitor, Ceramic Disc, 50V, 10%, SL |
| 66. | C 312 | 5-00017-501 | 47P | Capacitor, Ceramic Disc, 50V, 10%, SL |
| 67. | C 313 | 5-00017-501 | 47P | Capacitor, Ceramic Disc, 50V, 10%, SL |
| 68. | C 314 | 5-00056-512 | .1U | Cap, Stacked Metal Film 50V 5% -40/+85c |
| 69. | C 315 | 5-00038-509 | 10U | Capacitor, Electrolytic, 50V, 20%, Rad |
| 70. | C 317 | 5-00060-512 | 1.0U | Cap, Stacked Metal Film 50V 5% -40/+85c |
| 71. | C 318 | 5-00049-566 | .001U | Cap, Polyester Film 50V 5% -40/+85c Rad |
| 72. | C 319 | 5-00058-512 | .33U | Cap, Stacked Metal Film 50V 5% -40/+85c |
| 73. | C 320 | 5-00049-566 | .001U | Cap, Polyester Film 50V 5% -40/+85c Rad |
| 74. | C 321 | 5-00003-501 | 10P | Capacitor, Ceramic Disc, 50V, 10%, SL |
| 75. | C 322 | 5-00003-501 | 10P | Capacitor, Ceramic Disc, 50V, 10%, SL |
| 76. | C 323 | 5-00035-521 | 47U | Capacitor, Electrolytic, 25V, 20%, Rad |
| 77. | C 324 | 5-00035-521 | 47U | Capacitor, Electrolytic, 25V, 20%, Rad |
| 78. | C 325 | 5-00100-517 | 2.2U | Capacitor, Tantalum, 35V, 20%, Rad |
| 79. | C 326 | 5-00100-517 | 2.2U | Capacitor, Tantalum, 35V, 20%, Rad |
| 80. | C 327 | 5-00100-517 | 2.2U | Capacitor, Tantalum, 35V, 20%, Rad |
| 81. | C 328 | 5-00100-517 | 2.2U | Capacitor, Tantalum, 35V, 20%, Rad |
| 82. | C 329 | 5-00033-520 | 47U | Capacitor, Electrolytic, 16V, 20%, Rad |
| 83. | C 330 | 5-00100-517 | 2.2U | Capacitor, Tantalum, 35V, 20%, Rad |
| 84. | C 331 | 5-00100-517 | 2.2U | Capacitor, Tantalum, 35V, 20%, Rad |
| 85. | C 332 | 5-00100-517 | 2.2U | Capacitor, Tantalum, 35V, 20%, Rad |
| 86. | C 333 | 5-00100-517 | 2.2U | Capacitor, Tantalum, 35V, 20%, Rad |
| 87. | C 334 | 5-00100-517 | 2.2U | Capacitor, Tantalum, 35V, 20%, Rad |
| 88. | C 335 | 5-00016-501 | 470P | Capacitor, Ceramic Disc, 50V, 10%, SL |
| 89. | C 336 | 5-00016-501 | 470P | Capacitor, Ceramic Disc, 50V, 10%, SL |
| 90. | C 337 | 5-00100-517 | 2.2U | Capacitor, Tantalum, 35V, 20%, Rad |
| 91. | C 338 | 5-00100-517 | 2.2U | Capacitor, Tantalum, 35V, 20%, Rad |
| 92. | C 401 | 5-00060-512 | 1.0U | Cap, Stacked Metal Film 50V 5% -40/+85c |
| 93. | C 402 | 5-00052-512 | .01U | Cap, Stacked Metal Film 50V 5% -40/+85c |
| 94. | C 403 | 5-00052-512 | .01U | Cap, Stacked Metal Film 50V 5% -40/+85c |
| 95. | C 404 | 5-00060-512 | 1.0U | Cap, Stacked Metal Film 50V 5% -40/+85c |
| 96. | C 405 | 5-00060-512 | 1.0U | Cap, Stacked Metal Film 50V 5% -40/+85c |
| 97. | C 406 | 5-00052-512 | .01U | Cap, Stacked Metal Film 50V 5% -40/+85c |
| 98. | C 407 | 5-00052-512 | .01U | Cap, Stacked Metal Film 50V 5% -40/+85c |
| 99. | C 408 | 5-00003-501 | 10P | Capacitor, Ceramic Disc, 50V, 10%, SL |
| 100. | C 409 | 5-00056-512 | .1U | Cap, Stacked Metal Film 50V 5% -40/+85c |

SR510 PARTS LIST

| <u>NO</u> | <u>REF.</u> | <u>SRS part#</u> | <u>VALUE</u> | <u>DESCRIPTION</u> |
|-----------|-------------|------------------|--------------|---|
| 101. | C 410 | 5-00056-512 | .1U | Cap, Stacked Metal Film 50V 5% -40/+85c |
| 102. | C 411 | 5-00056-512 | .1U | Cap, Stacked Metal Film 50V 5% -40/+85c |
| 103. | C 412 | 5-00056-512 | .1U | Cap, Stacked Metal Film 50V 5% -40/+85c |
| 104. | C 413 | 5-00049-566 | .001U | Cap, Polyester Film 50V 5% -40/+85c Rad |
| 105. | C 414 | 5-00053-512 | .033U | Cap, Stacked Metal Film 50V 5% -40/+85c |
| 106. | C 415 | 5-00072-513 | 10U | Capacitor, Mylar/Poly, 50V, 5%, Rad |
| 107. | C 416 | 5-00056-512 | .1U | Cap, Stacked Metal Film 50V 5% -40/+85c |
| 108. | C 417 | 5-00060-512 | 1.0U | Cap, Stacked Metal Film 50V 5% -40/+85c |
| 109. | C 418 | 5-00052-512 | .01U | Cap, Stacked Metal Film 50V 5% -40/+85c |
| 110. | C 419 | 5-00052-512 | .01U | Cap, Stacked Metal Film 50V 5% -40/+85c |
| 111. | C 420 | 5-00049-566 | .001U | Cap, Polyester Film 50V 5% -40/+85c Rad |
| 112. | C 421 | 5-00013-501 | 33P | Capacitor, Ceramic Disc, 50V, 10%, SL |
| 113. | C 422 | 5-00013-501 | 33P | Capacitor, Ceramic Disc, 50V, 10%, SL |
| 114. | C 501 | 5-00012-501 | 330P | Capacitor, Ceramic Disc, 50V, 10%, SL |
| 115. | C 502 | 5-00136-519 | .01U | Capacitor, Polystyrene, 50V, 5%, Rad |
| 116. | C 503 | 5-00007-501 | 220P | Capacitor, Ceramic Disc, 50V, 10%, SL |
| 117. | C 504 | 5-00002-501 | 100P | Capacitor, Ceramic Disc, 50V, 10%, SL |
| 118. | C 505 | 5-00008-501 | 22P | Capacitor, Ceramic Disc, 50V, 10%, SL |
| 119. | C 506 | 5-00054-512 | .047U | Cap, Stacked Metal Film 50V 5% -40/+85c |
| 120. | C 507 | 5-00054-512 | .047U | Cap, Stacked Metal Film 50V 5% -40/+85c |
| 121. | C 508 | 5-00054-512 | .047U | Cap, Stacked Metal Film 50V 5% -40/+85c |
| 122. | C 509 | 5-00054-512 | .047U | Cap, Stacked Metal Film 50V 5% -40/+85c |
| 123. | C 510 | 5-00054-512 | .047U | Cap, Stacked Metal Film 50V 5% -40/+85c |
| 124. | C 511 | 5-00054-512 | .047U | Cap, Stacked Metal Film 50V 5% -40/+85c |
| 125. | C 512 | 5-00054-512 | .047U | Cap, Stacked Metal Film 50V 5% -40/+85c |
| 126. | C 513 | 5-00054-512 | .047U | Cap, Stacked Metal Film 50V 5% -40/+85c |
| 127. | C 514 | 5-00049-566 | .001U | Cap, Polyester Film 50V 5% -40/+85c Rad |
| 128. | C 515 | 5-00049-566 | .001U | Cap, Polyester Film 50V 5% -40/+85c Rad |
| 129. | C 516 | 5-00049-566 | .001U | Cap, Polyester Film 50V 5% -40/+85c Rad |
| 130. | C 517 | 5-00002-501 | 100P | Capacitor, Ceramic Disc, 50V, 10%, SL |
| 131. | C 518 | 5-00056-512 | .1U | Cap, Stacked Metal Film 50V 5% -40/+85c |
| 132. | C 519 | 5-00049-566 | .001U | Cap, Polyester Film 50V 5% -40/+85c Rad |
| 133. | C 520 | 5-00052-512 | .01U | Cap, Stacked Metal Film 50V 5% -40/+85c |
| 134. | C 521 | 5-00052-512 | .01U | Cap, Stacked Metal Film 50V 5% -40/+85c |
| 135. | C 523 | 5-00052-512 | .01U | Cap, Stacked Metal Film 50V 5% -40/+85c |
| 136. | C 525 | 5-00052-512 | .01U | Cap, Stacked Metal Film 50V 5% -40/+85c |
| 137. | C 526 | 5-00023-529 | .1U | Cap, Monolythic Ceramic, 50V, 20%, Z5U |
| 138. | C 527 | 5-00023-529 | .1U | Cap, Monolythic Ceramic, 50V, 20%, Z5U |
| 139. | C 701 | 5-00007-501 | 220P | Capacitor, Ceramic Disc, 50V, 10%, SL |
| 140. | C 702 | 5-00007-501 | 220P | Capacitor, Ceramic Disc, 50V, 10%, SL |
| 141. | C 703 | 5-00040-509 | 1.0U | Capacitor, Electrolytic, 50V, 20%, Rad |
| 142. | C 704 | 5-00040-509 | 1.0U | Capacitor, Electrolytic, 50V, 20%, Rad |
| 143. | C 705 | 5-00052-512 | .01U | Cap, Stacked Metal Film 50V 5% -40/+85c |
| 144. | C 706 | 5-00052-512 | .01U | Cap, Stacked Metal Film 50V 5% -40/+85c |
| 145. | C 707 | 5-00052-512 | .01U | Cap, Stacked Metal Film 50V 5% -40/+85c |
| 146. | C 708 | 5-00052-512 | .01U | Cap, Stacked Metal Film 50V 5% -40/+85c |
| 147. | C 709 | 5-00052-512 | .01U | Cap, Stacked Metal Film 50V 5% -40/+85c |
| 148. | C 710 | 5-00052-512 | .01U | Cap, Stacked Metal Film 50V 5% -40/+85c |
| 149. | C 711 | 5-00052-512 | .01U | Cap, Stacked Metal Film 50V 5% -40/+85c |
| 150. | C 712 | 5-00052-512 | .01U | Cap, Stacked Metal Film 50V 5% -40/+85c |
| 151. | C 713 | 5-00014-501 | 390P | Capacitor, Ceramic Disc, 50V, 10%, SL |

SR510 PARTS LIST

| <u>NO</u> | <u>REF.</u> | <u>SRS part#</u> | <u>VALUE</u> | <u>DESCRIPTION</u> |
|-----------|-------------|------------------|----------------|--|
| 152. | C 714 | 5-00014-501 | 390P | Capacitor, Ceramic Disc, 50V, 10%, SL |
| 153. | C 801 | 5-00012-501 | 330P | Capacitor, Ceramic Disc, 50V, 10%, SL |
| 154. | C 802 | 5-00012-501 | 330P | Capacitor, Ceramic Disc, 50V, 10%, SL |
| 155. | C 803 | 5-00012-501 | 330P | Capacitor, Ceramic Disc, 50V, 10%, SL |
| 156. | C 804 | 5-00052-512 | .01U | Cap, Stacked Metal Film 50V 5% -40/+85c |
| 157. | C 805 | 5-00052-512 | .01U | Cap, Stacked Metal Film 50V 5% -40/+85c |
| 158. | C 806 | 5-00100-517 | 2.2U | Capacitor, Tantalum, 35V, 20%, Rad |
| 159. | C 807 | 5-00100-517 | 2.2U | Capacitor, Tantalum, 35V, 20%, Rad |
| 160. | C 808 | 5-00100-517 | 2.2U | Capacitor, Tantalum, 35V, 20%, Rad |
| 161. | C 809 | 5-00100-517 | 2.2U | Capacitor, Tantalum, 35V, 20%, Rad |
| 162. | C 810 | 5-00010-501 | 270P | Capacitor, Ceramic Disc, 50V, 10%, SL |
| 163. | C 901 | 5-00100-517 | 2.2U | Capacitor, Tantalum, 35V, 20%, Rad |
| 164. | C 902 | 5-00100-517 | 2.2U | Capacitor, Tantalum, 35V, 20%, Rad |
| 165. | C 903 | 5-00100-517 | 2.2U | Capacitor, Tantalum, 35V, 20%, Rad |
| 166. | C 904 | 5-00100-517 | 2.2U | Capacitor, Tantalum, 35V, 20%, Rad |
| 167. | C 905 | 5-00100-517 | 2.2U | Capacitor, Tantalum, 35V, 20%, Rad |
| 168. | C 906 | 5-00100-517 | 2.2U | Capacitor, Tantalum, 35V, 20%, Rad |
| 169. | C 907 | 5-00100-517 | 2.2U | Capacitor, Tantalum, 35V, 20%, Rad |
| 170. | C 908 | 5-00100-517 | 2.2U | Capacitor, Tantalum, 35V, 20%, Rad |
| 171. | C 909 | 5-00100-517 | 2.2U | Capacitor, Tantalum, 35V, 20%, Rad |
| 172. | C 910 | 5-00100-517 | 2.2U | Capacitor, Tantalum, 35V, 20%, Rad |
| 173. | C 911 | 5-00100-517 | 2.2U | Capacitor, Tantalum, 35V, 20%, Rad |
| 174. | C 912 | 5-00100-517 | 2.2U | Capacitor, Tantalum, 35V, 20%, Rad |
| 175. | C 913 | 5-00035-521 | 47U | Capacitor, Electrolytic, 25V, 20%, Rad |
| 176. | C 914 | 5-00035-521 | 47U | Capacitor, Electrolytic, 25V, 20%, Rad |
| 177. | C 915 | 5-00100-517 | 2.2U | Capacitor, Tantalum, 35V, 20%, Rad |
| 178. | C 916 | 5-00100-517 | 2.2U | Capacitor, Tantalum, 35V, 20%, Rad |
| 179. | C 917 | 5-00100-517 | 2.2U | Capacitor, Tantalum, 35V, 20%, Rad |
| 180. | C 918 | 5-00100-517 | 2.2U | Capacitor, Tantalum, 35V, 20%, Rad |
| 181. | C 919 | 5-00035-521 | 47U | Capacitor, Electrolytic, 25V, 20%, Rad |
| 182. | C 920 | 5-00035-521 | 47U | Capacitor, Electrolytic, 25V, 20%, Rad |
| 183. | C 923 | 5-00192-542 | 22U MIN | Cap, Mini Electrolytic, 50V, 20% Radial |
| 184. | C 924 | 5-00100-517 | 2.2U | Capacitor, Tantalum, 35V, 20%, Rad |
| 185. | C 925 | 5-00046-510 | 2500U | Capacitor, Electrolytic, 50V, 20%, Ax |
| 186. | C 926 | 5-00046-510 | 2500U | Capacitor, Electrolytic, 50V, 20%, Ax |
| 187. | C 927 | 5-00192-542 | 22U MIN | Cap, Mini Electrolytic, 50V, 20% Radial |
| 188. | C 928 | 5-00192-542 | 22U MIN | Cap, Mini Electrolytic, 50V, 20% Radial |
| 189. | C 929 | 5-00034-526 | 100U | Capacitor, Electrolytic, 35V, 20%, Rad |
| 190. | C 930 | 5-00034-526 | 100U | Capacitor, Electrolytic, 35V, 20%, Rad |
| 191. | C 931 | 5-00034-526 | 100U | Capacitor, Electrolytic, 35V, 20%, Rad |
| 192. | C 932 | 5-00034-526 | 100U | Capacitor, Electrolytic, 35V, 20%, Rad |
| 193. | C 933 | 5-00103-524 | 1.0U | Capacitor, Tantalum, 50V, 20%, Rad |
| 194. | C 934 | 5-00103-524 | 1.0U | Capacitor, Tantalum, 50V, 20%, Rad |
| 195. | C 935 | 5-00036-522 | 6800U | Cap, Electro. 25V 10% Ax, Mallory TCX |
| 196. | C 936 | 5-00056-512 | .1U | Cap, Stacked Metal Film 50V 5% -40/+85c |
| 197. | C 937 | 5-00056-512 | .1U | Cap, Stacked Metal Film 50V 5% -40/+85c |
| 198. | C 938 | 5-00100-517 | 2.2U | Capacitor, Tantalum, 35V, 20%, Rad |
| 199. | C 939 | 5-00100-517 | 2.2U | Capacitor, Tantalum, 35V, 20%, Rad |
| 200. | CN801 | 1-00014-160 | 9 PIN D | Connector, D-Sub, Right Angle PC, Female |
| 201. | CN802 | 1-00016-160 | RS232 25 PIN D | Connector, D-Sub, Right Angle PC, Female |
| 202. | CN803 | 1-00238-161 | GPIB SHIELDED | Connector, IEEE488, Reverse, R/A, Female |

SR510 PARTS LIST

| <u>NO</u> | <u>REF.</u> | <u>SRS part#</u> | <u>VALUE</u> | <u>DESCRIPTION</u> |
|-----------|-------------|------------------|--------------|--|
| 203. | CY1 | 6-00010-620 | 4.000 MHZ | Crystal |
| 204. | D 101 | 3-00004-301 | 1N4148 | Diode |
| 205. | D 102 | 3-00004-301 | 1N4148 | Diode |
| 206. | D 103 | 3-00004-301 | 1N4148 | Diode |
| 207. | D 104 | 3-00004-301 | 1N4148 | Diode |
| 208. | D 105 | 3-00004-301 | 1N4148 | Diode |
| 209. | D 106 | 3-00004-301 | 1N4148 | Diode |
| 210. | D 201 | 3-00004-301 | 1N4148 | Diode |
| 211. | D 202 | 3-00004-301 | 1N4148 | Diode |
| 212. | D 203 | 3-00004-301 | 1N4148 | Diode |
| 213. | D 204 | 3-00004-301 | 1N4148 | Diode |
| 214. | D 301 | 3-00004-301 | 1N4148 | Diode |
| 215. | D 302 | 3-00004-301 | 1N4148 | Diode |
| 216. | D 303 | 3-00004-301 | 1N4148 | Diode |
| 217. | D 401 | 3-00004-301 | 1N4148 | Diode |
| 218. | D 402 | 3-00004-301 | 1N4148 | Diode |
| 219. | D 403 | 3-00004-301 | 1N4148 | Diode |
| 220. | D 404 | 3-00004-301 | 1N4148 | Diode |
| 221. | D 501 | 3-00004-301 | 1N4148 | Diode |
| 222. | D 502 | 3-00004-301 | 1N4148 | Diode |
| 223. | D 701 | 3-00007-301 | 1N747A | Diode |
| 224. | D 702 | 3-00203-301 | 1N5711 | Diode |
| 225. | D 703 | 3-00203-301 | 1N5711 | Diode |
| 226. | D 704 | 3-00004-301 | 1N4148 | Diode |
| 227. | D 901 | 3-00003-301 | 1N4007 | Diode |
| 228. | D 902 | 3-00003-301 | 1N4007 | Diode |
| 229. | D 903 | 3-00003-301 | 1N4007 | Diode |
| 230. | D 904 | 3-00003-301 | 1N4007 | Diode |
| 231. | FU1 | 6-00004-611 | 1A 3AG | Fuse |
| 232. | P 101 | 4-00006-440 | 20 | Trim Pot, Single Turn, In-Line Leads |
| 233. | P 102 | 4-00012-441 | 20K | Pot, Multi-Turn Trim, 3/8" Square Top Ad |
| 234. | P 103 | 4-00012-441 | 20K | Pot, Multi-Turn Trim, 3/8" Square Top Ad |
| 235. | P 104 | 4-00013-441 | 50K | Pot, Multi-Turn Trim, 3/8" Square Top Ad |
| 236. | P 105 | 4-00014-441 | 5K | Pot, Multi-Turn Trim, 3/8" Square Top Ad |
| 237. | P 401 | 4-00011-441 | 10K | Pot, Multi-Turn Trim, 3/8" Square Top Ad |
| 238. | P 402 | 4-00011-441 | 10K | Pot, Multi-Turn Trim, 3/8" Square Top Ad |
| 239. | P 403 | 4-00011-441 | 10K | Pot, Multi-Turn Trim, 3/8" Square Top Ad |
| 240. | P 404 | 4-00011-441 | 10K | Pot, Multi-Turn Trim, 3/8" Square Top Ad |
| 241. | P 501 | 4-00002-440 | 100 | Trim Pot, Single Turn, In-Line Leads |
| 242. | P 502 | 4-00002-440 | 100 | Trim Pot, Single Turn, In-Line Leads |
| 243. | PC1 | 7-00036-701 | SR500 | Printed Circuit Board |
| 244. | Q 101 | 3-00016-323 | 2N6485 | Transistor, TO-71 Package |
| 245. | Q 102 | 3-00016-323 | 2N6485 | Transistor, TO-71 Package |
| 246. | Q 103 | 3-00031-325 | MPSA18 | Transistor, TO-92 Package |
| 247. | Q 201 | 3-00887-325 | MPS2907A | Transistor, TO-92 Package |
| 248. | Q 202 | 3-00026-325 | 2N5210 | Transistor, TO-92 Package |
| 249. | Q 502 | 3-00026-325 | 2N5210 | Transistor, TO-92 Package |
| 250. | Q 701 | 3-00026-325 | 2N5210 | Transistor, TO-92 Package |
| 251. | Q 702 | 3-00026-325 | 2N5210 | Transistor, TO-92 Package |
| 252. | Q 703 | 3-00026-325 | 2N5210 | Transistor, TO-92 Package |
| 253. | R 101 | 4-00033-404 | 100M | Resistor, Carbon Comp, 1/4W, 5% |

SR510 PARTS LIST

| <u>NO</u> | <u>REF.</u> | <u>SRS part#</u> | <u>VALUE</u> | <u>DESCRIPTION</u> |
|-----------|-------------|------------------|--------------|---------------------------------------|
| 254. | R 102 | 4-00033-404 | 100M | Resistor, Carbon Comp, 1/4W, 5% |
| 255. | R 103 | 4-00030-401 | 10 | Resistor, Carbon Film, 1/4W, 5% |
| 256. | R 104 | 4-00031-401 | 100 | Resistor, Carbon Film, 1/4W, 5% |
| 257. | R 105 | 4-00031-401 | 100 | Resistor, Carbon Film, 1/4W, 5% |
| 258. | R 108 | 4-00130-407 | 1.00K | Resistor, Metal Film, 1/8W, 1%, 50PPM |
| 259. | R 109 | 4-00199-407 | 6.81K | Resistor, Metal Film, 1/8W, 1%, 50PPM |
| 260. | R 110 | 4-00199-407 | 6.81K | Resistor, Metal Film, 1/8W, 1%, 50PPM |
| 261. | R 111 | 4-00130-407 | 1.00K | Resistor, Metal Film, 1/8W, 1%, 50PPM |
| 262. | R 112 | 4-00130-407 | 1.00K | Resistor, Metal Film, 1/8W, 1%, 50PPM |
| 263. | R 113 | 4-00145-407 | 110 | Resistor, Metal Film, 1/8W, 1%, 50PPM |
| 264. | R 114 | 4-00145-407 | 110 | Resistor, Metal Film, 1/8W, 1%, 50PPM |
| 265. | R 115 | 4-00047-401 | 2.2 | Resistor, Carbon Film, 1/4W, 5% |
| 266. | R 116 | 4-00196-407 | 6.04K | Resistor, Metal Film, 1/8W, 1%, 50PPM |
| 267. | R 117 | 4-00210-407 | 9.09K | Resistor, Metal Film, 1/8W, 1%, 50PPM |
| 268. | R 118 | 4-00130-407 | 1.00K | Resistor, Metal Film, 1/8W, 1%, 50PPM |
| 269. | R 119 | 4-00193-407 | 499 | Resistor, Metal Film, 1/8W, 1%, 50PPM |
| 270. | R 120 | 4-00180-407 | 301 | Resistor, Metal Film, 1/8W, 1%, 50PPM |
| 271. | R 121 | 4-00141-407 | 100 | Resistor, Metal Film, 1/8W, 1%, 50PPM |
| 272. | R 122 | 4-00141-407 | 100 | Resistor, Metal Film, 1/8W, 1%, 50PPM |
| 273. | R 126 | 4-00210-407 | 9.09K | Resistor, Metal Film, 1/8W, 1%, 50PPM |
| 274. | R 127 | 4-00130-407 | 1.00K | Resistor, Metal Film, 1/8W, 1%, 50PPM |
| 275. | R 128 | 4-00021-401 | 1.0K | Resistor, Carbon Film, 1/4W, 5% |
| 276. | R 130 | 4-00082-401 | 470K | Resistor, Carbon Film, 1/4W, 5% |
| 277. | R 132 | 4-00082-401 | 470K | Resistor, Carbon Film, 1/4W, 5% |
| 278. | R 133 | 4-00179-407 | 30.1K | Resistor, Metal Film, 1/8W, 1%, 50PPM |
| 279. | R 134 | 4-00179-407 | 30.1K | Resistor, Metal Film, 1/8W, 1%, 50PPM |
| 280. | R 135 | 4-00131-407 | 1.00M | Resistor, Metal Film, 1/8W, 1%, 50PPM |
| 281. | R 138 | 4-00052-401 | 20 | Resistor, Carbon Film, 1/4W, 5% |
| 282. | R 139 | 4-00052-401 | 20 | Resistor, Carbon Film, 1/4W, 5% |
| 283. | R 140 | 4-00150-407 | 13.0K | Resistor, Metal Film, 1/8W, 1%, 50PPM |
| 284. | R 141 | 4-00174-407 | 280 | Resistor, Metal Film, 1/8W, 1%, 50PPM |
| 285. | R 142 | 4-00168-407 | 22.6K | Resistor, Metal Film, 1/8W, 1%, 50PPM |
| 286. | R 143 | 4-00150-407 | 13.0K | Resistor, Metal Film, 1/8W, 1%, 50PPM |
| 287. | R 144 | 4-00157-407 | 16.9K | Resistor, Metal Film, 1/8W, 1%, 50PPM |
| 288. | R 145 | 4-00157-407 | 16.9K | Resistor, Metal Film, 1/8W, 1%, 50PPM |
| 289. | R 146 | 4-00193-407 | 499 | Resistor, Metal Film, 1/8W, 1%, 50PPM |
| 290. | R 147 | 4-00180-407 | 301 | Resistor, Metal Film, 1/8W, 1%, 50PPM |
| 291. | R 148 | 4-00141-407 | 100 | Resistor, Metal Film, 1/8W, 1%, 50PPM |
| 292. | R 149 | 4-00141-407 | 100 | Resistor, Metal Film, 1/8W, 1%, 50PPM |
| 293. | R 150 | 4-00179-407 | 30.1K | Resistor, Metal Film, 1/8W, 1%, 50PPM |
| 294. | R 151 | 4-00201-407 | 634 | Resistor, Metal Film, 1/8W, 1%, 50PPM |
| 295. | R 152 | 4-00195-407 | 54.9K | Resistor, Metal Film, 1/8W, 1%, 50PPM |
| 296. | R 153 | 4-00176-407 | 3.01K | Resistor, Metal Film, 1/8W, 1%, 50PPM |
| 297. | R 154 | 4-00178-407 | 3.83K | Resistor, Metal Film, 1/8W, 1%, 50PPM |
| 298. | R 155 | 4-00211-407 | 9.53K | Resistor, Metal Film, 1/8W, 1%, 50PPM |
| 299. | R 156 | 4-00193-407 | 499 | Resistor, Metal Film, 1/8W, 1%, 50PPM |
| 300. | R 157 | 4-00180-407 | 301 | Resistor, Metal Film, 1/8W, 1%, 50PPM |
| 301. | R 158 | 4-00141-407 | 100 | Resistor, Metal Film, 1/8W, 1%, 50PPM |
| 302. | R 159 | 4-00141-407 | 100 | Resistor, Metal Film, 1/8W, 1%, 50PPM |
| 303. | R 160 | 4-00033-404 | 100M | Resistor, Carbon Comp, 1/4W, 5% |
| 304. | R 161 | 4-00204-407 | 750 | Resistor, Metal Film, 1/8W, 1%, 50PPM |

SR510 PARTS LIST

| <u>NO</u> | <u>REF.</u> | <u>SRS part#</u> | <u>VALUE</u> | <u>DESCRIPTION</u> |
|-----------|-------------|------------------|--------------|---------------------------------------|
| 305. | R 162 | 4-00188-407 | 4.99K | Resistor, Metal Film, 1/8W, 1%, 50PPM |
| 306. | R 163 | 4-00035-401 | 10M | Resistor, Carbon Film, 1/4W, 5% |
| 307. | R 165 | 4-00215-407 | 909 | Resistor, Metal Film, 1/8W, 1%, 50PPM |
| 308. | R 166 | 4-00141-407 | 100 | Resistor, Metal Film, 1/8W, 1%, 50PPM |
| 309. | R 167 | 4-00215-407 | 909 | Resistor, Metal Film, 1/8W, 1%, 50PPM |
| 310. | R 168 | 4-00141-407 | 100 | Resistor, Metal Film, 1/8W, 1%, 50PPM |
| 311. | R 169 | 4-00134-407 | 1.24K | Resistor, Metal Film, 1/8W, 1%, 50PPM |
| 312. | R 170 | 4-00144-407 | 107 | Resistor, Metal Film, 1/8W, 1%, 50PPM |
| 313. | R 171 | 4-00182-407 | 33.2 | Resistor, Metal Film, 1/8W, 1%, 50PPM |
| 314. | R 172 | 4-00035-401 | 10M | Resistor, Carbon Film, 1/4W, 5% |
| 315. | R 173 | 4-00193-407 | 499 | Resistor, Metal Film, 1/8W, 1%, 50PPM |
| 316. | R 174 | 4-00180-407 | 301 | Resistor, Metal Film, 1/8W, 1%, 50PPM |
| 317. | R 175 | 4-00165-407 | 200 | Resistor, Metal Film, 1/8W, 1%, 50PPM |
| 318. | R 176 | 4-00211-407 | 9.53K | Resistor, Metal Film, 1/8W, 1%, 50PPM |
| 319. | R 177 | 4-00130-407 | 1.00K | Resistor, Metal Film, 1/8W, 1%, 50PPM |
| 320. | R 178 | 4-00035-401 | 10M | Resistor, Carbon Film, 1/4W, 5% |
| 321. | R 201 | 4-00135-407 | 1.50K | Resistor, Metal Film, 1/8W, 1%, 50PPM |
| 322. | R 202 | 4-00194-407 | 5.11K | Resistor, Metal Film, 1/8W, 1%, 50PPM |
| 323. | R 203 | 4-00138-407 | 10.0K | Resistor, Metal Film, 1/8W, 1%, 50PPM |
| 324. | R 204 | 4-00138-407 | 10.0K | Resistor, Metal Film, 1/8W, 1%, 50PPM |
| 325. | R 205 | 4-00153-407 | 15.0K | Resistor, Metal Film, 1/8W, 1%, 50PPM |
| 326. | R 206 | 4-00138-407 | 10.0K | Resistor, Metal Film, 1/8W, 1%, 50PPM |
| 327. | R 207 | 4-00135-407 | 1.50K | Resistor, Metal Film, 1/8W, 1%, 50PPM |
| 328. | R 208 | 4-00130-407 | 1.00K | Resistor, Metal Film, 1/8W, 1%, 50PPM |
| 329. | R 209 | 4-00150-407 | 13.0K | Resistor, Metal Film, 1/8W, 1%, 50PPM |
| 330. | R 210 | 4-00033-404 | 100M | Resistor, Carbon Comp, 1/4W, 5% |
| 331. | R 211 | 4-00138-407 | 10.0K | Resistor, Metal Film, 1/8W, 1%, 50PPM |
| 332. | R 212 | 4-00135-407 | 1.50K | Resistor, Metal Film, 1/8W, 1%, 50PPM |
| 333. | R 213 | 4-00130-407 | 1.00K | Resistor, Metal Film, 1/8W, 1%, 50PPM |
| 334. | R 214 | 4-00150-407 | 13.0K | Resistor, Metal Film, 1/8W, 1%, 50PPM |
| 335. | R 215 | 4-00033-404 | 100M | Resistor, Carbon Comp, 1/4W, 5% |
| 336. | R 216 | 4-00032-401 | 100K | Resistor, Carbon Film, 1/4W, 5% |
| 337. | R 217 | 4-00032-401 | 100K | Resistor, Carbon Film, 1/4W, 5% |
| 338. | R 218 | 4-00035-401 | 10M | Resistor, Carbon Film, 1/4W, 5% |
| 339. | R 219 | 4-00032-401 | 100K | Resistor, Carbon Film, 1/4W, 5% |
| 340. | R 220 | 4-00177-407 | 3.48K | Resistor, Metal Film, 1/8W, 1%, 50PPM |
| 341. | R 221 | 4-00039-401 | 120K | Resistor, Carbon Film, 1/4W, 5% |
| 342. | R 222 | 4-00096-401 | 62K | Resistor, Carbon Film, 1/4W, 5% |
| 343. | R 223 | 4-00039-401 | 120K | Resistor, Carbon Film, 1/4W, 5% |
| 344. | R 224 | 4-00094-401 | 6.8K | Resistor, Carbon Film, 1/4W, 5% |
| 345. | R 225 | 4-00063-401 | 3.0K | Resistor, Carbon Film, 1/4W, 5% |
| 346. | R 226 | 4-00094-401 | 6.8K | Resistor, Carbon Film, 1/4W, 5% |
| 347. | R 227 | 4-00063-401 | 3.0K | Resistor, Carbon Film, 1/4W, 5% |
| 348. | R 228 | 4-00021-401 | 1.0K | Resistor, Carbon Film, 1/4W, 5% |
| 349. | R 229 | 4-00021-401 | 1.0K | Resistor, Carbon Film, 1/4W, 5% |
| 350. | R 301 | 4-00034-401 | 10K | Resistor, Carbon Film, 1/4W, 5% |
| 351. | R 302 | 4-00138-407 | 10.0K | Resistor, Metal Film, 1/8W, 1%, 50PPM |
| 352. | R 303 | 4-00138-407 | 10.0K | Resistor, Metal Film, 1/8W, 1%, 50PPM |
| 353. | R 304 | 4-00045-401 | 2.0K | Resistor, Carbon Film, 1/4W, 5% |
| 354. | R 305 | 4-00032-401 | 100K | Resistor, Carbon Film, 1/4W, 5% |
| 355. | R 306 | 4-00021-401 | 1.0K | Resistor, Carbon Film, 1/4W, 5% |

SR510 PARTS LIST

| <u>NO</u> | <u>REF.</u> | <u>SRS part#</u> | <u>VALUE</u> | <u>DESCRIPTION</u> |
|-----------|-------------|------------------|--------------|---------------------------------------|
| 356. | R 307 | 4-00040-401 | 13K | Resistor, Carbon Film, 1/4W, 5% |
| 357. | R 308 | 4-00193-407 | 499 | Resistor, Metal Film, 1/8W, 1%, 50PPM |
| 358. | R 309 | 4-00073-401 | 330K | Resistor, Carbon Film, 1/4W, 5% |
| 359. | R 310 | 4-00021-401 | 1.0K | Resistor, Carbon Film, 1/4W, 5% |
| 360. | R 311 | 4-00021-401 | 1.0K | Resistor, Carbon Film, 1/4W, 5% |
| 361. | R 312 | 4-00021-401 | 1.0K | Resistor, Carbon Film, 1/4W, 5% |
| 362. | R 313 | 4-00034-401 | 10K | Resistor, Carbon Film, 1/4W, 5% |
| 363. | R 314 | 4-00069-401 | 300K | Resistor, Carbon Film, 1/4W, 5% |
| 364. | R 315 | 4-00099-401 | 680K | Resistor, Carbon Film, 1/4W, 5% |
| 365. | R 316 | 4-00099-401 | 680K | Resistor, Carbon Film, 1/4W, 5% |
| 366. | R 317 | 4-00093-401 | 6.2K | Resistor, Carbon Film, 1/4W, 5% |
| 367. | R 318 | 4-00138-407 | 10.0K | Resistor, Metal Film, 1/8W, 1%, 50PPM |
| 368. | R 319 | 4-00034-401 | 10K | Resistor, Carbon Film, 1/4W, 5% |
| 369. | R 320 | 4-00034-401 | 10K | Resistor, Carbon Film, 1/4W, 5% |
| 370. | R 321 | 4-00032-401 | 100K | Resistor, Carbon Film, 1/4W, 5% |
| 371. | R 322 | 4-00170-407 | 249K | Resistor, Metal Film, 1/8W, 1%, 50PPM |
| 372. | R 323 | 4-00199-407 | 6.81K | Resistor, Metal Film, 1/8W, 1%, 50PPM |
| 373. | R 324 | 4-00199-407 | 6.81K | Resistor, Metal Film, 1/8W, 1%, 50PPM |
| 374. | R 325 | 4-00163-407 | 2.80K | Resistor, Metal Film, 1/8W, 1%, 50PPM |
| 375. | R 326 | 4-00150-407 | 13.0K | Resistor, Metal Film, 1/8W, 1%, 50PPM |
| 376. | R 327 | 4-00159-407 | 2.10K | Resistor, Metal Film, 1/8W, 1%, 50PPM |
| 377. | R 328 | 4-00029-401 | 1.8K | Resistor, Carbon Film, 1/4W, 5% |
| 378. | R 329 | 4-00088-401 | 51K | Resistor, Carbon Film, 1/4W, 5% |
| 379. | R 330 | 4-00021-401 | 1.0K | Resistor, Carbon Film, 1/4W, 5% |
| 380. | R 332 | 4-00161-407 | 2.49K | Resistor, Metal Film, 1/8W, 1%, 50PPM |
| 381. | R 333 | 4-00029-401 | 1.8K | Resistor, Carbon Film, 1/4W, 5% |
| 382. | R 334 | 4-00197-407 | 6.49K | Resistor, Metal Film, 1/8W, 1%, 50PPM |
| 383. | R 335 | 4-00088-401 | 51K | Resistor, Carbon Film, 1/4W, 5% |
| 384. | R 336 | 4-00021-401 | 1.0K | Resistor, Carbon Film, 1/4W, 5% |
| 385. | R 337 | 4-00035-401 | 10M | Resistor, Carbon Film, 1/4W, 5% |
| 386. | R 338 | 4-00030-401 | 10 | Resistor, Carbon Film, 1/4W, 5% |
| 387. | R 339 | 4-00032-401 | 100K | Resistor, Carbon Film, 1/4W, 5% |
| 388. | R 340 | 4-00032-401 | 100K | Resistor, Carbon Film, 1/4W, 5% |
| 389. | R 341 | 4-00025-401 | 1.2M | Resistor, Carbon Film, 1/4W, 5% |
| 390. | R 342 | 4-00073-401 | 330K | Resistor, Carbon Film, 1/4W, 5% |
| 391. | R 343 | 4-00046-401 | 2.0M | Resistor, Carbon Film, 1/4W, 5% |
| 392. | R 344 | 4-00069-401 | 300K | Resistor, Carbon Film, 1/4W, 5% |
| 393. | R 345 | 4-00022-401 | 1.0M | Resistor, Carbon Film, 1/4W, 5% |
| 394. | R 346 | 4-00021-401 | 1.0K | Resistor, Carbon Film, 1/4W, 5% |
| 395. | R 347 | 4-00021-401 | 1.0K | Resistor, Carbon Film, 1/4W, 5% |
| 396. | R 348 | 4-00021-401 | 1.0K | Resistor, Carbon Film, 1/4W, 5% |
| 397. | R 349 | 4-00069-401 | 300K | Resistor, Carbon Film, 1/4W, 5% |
| 398. | R 350 | 4-00093-401 | 6.2K | Resistor, Carbon Film, 1/4W, 5% |
| 399. | R 351 | 4-00138-407 | 10.0K | Resistor, Metal Film, 1/8W, 1%, 50PPM |
| 400. | R 352 | 4-00032-401 | 100K | Resistor, Carbon Film, 1/4W, 5% |
| 401. | R 353 | 4-00034-401 | 10K | Resistor, Carbon Film, 1/4W, 5% |
| 402. | R 354 | 4-00203-407 | 75.0K | Resistor, Metal Film, 1/8W, 1%, 50PPM |
| 403. | R 355 | 4-00187-407 | 4.53K | Resistor, Metal Film, 1/8W, 1%, 50PPM |
| 404. | R 356 | 4-00160-407 | 2.26K | Resistor, Metal Film, 1/8W, 1%, 50PPM |
| 405. | R 357 | 4-00163-407 | 2.80K | Resistor, Metal Film, 1/8W, 1%, 50PPM |
| 406. | R 358 | 4-00034-401 | 10K | Resistor, Carbon Film, 1/4W, 5% |

SR510 PARTS LIST

| <u>NO</u> | <u>REF.</u> | <u>SRS part#</u> | <u>VALUE</u> | <u>DESCRIPTION</u> |
|-----------|-------------|------------------|--------------|---|
| 407. | R 359 | 4-00045-401 | 2.0K | Resistor, Carbon Film, 1/4W, 5% |
| 408. | R 360 | 4-00032-401 | 100K | Resistor, Carbon Film, 1/4W, 5% |
| 409. | R 361 | 4-00084-401 | 5.1K | Resistor, Carbon Film, 1/4W, 5% |
| 410. | R 362 | 4-00181-407 | 32.4K | Resistor, Metal Film, 1/8W, 1%, 50PPM |
| 411. | R 363 | 4-00132-407 | 1.10K | Resistor, Metal Film, 1/8W, 1%, 50PPM |
| 412. | R 364 | 4-00032-401 | 100K | Resistor, Carbon Film, 1/4W, 5% |
| 413. | R 365 | 4-00045-401 | 2.0K | Resistor, Carbon Film, 1/4W, 5% |
| 414. | R 366 | 4-00021-401 | 1.0K | Resistor, Carbon Film, 1/4W, 5% |
| 415. | R 367 | 4-00151-407 | 130K | Resistor, Metal Film, 1/8W, 1%, 50PPM |
| 416. | R 368 | 4-00156-407 | 16.2K | Resistor, Metal Film, 1/8W, 1%, 50PPM |
| 417. | R 369 | 4-00130-407 | 1.00K | Resistor, Metal Film, 1/8W, 1%, 50PPM |
| 418. | R 370 | 4-00130-407 | 1.00K | Resistor, Metal Film, 1/8W, 1%, 50PPM |
| 419. | R 371 | 4-00030-401 | 10 | Resistor, Carbon Film, 1/4W, 5% |
| 420. | R 372 | 4-00023-401 | 1.1M | Resistor, Carbon Film, 1/4W, 5% |
| 421. | R 373 | 4-00033-404 | 100M | Resistor, Carbon Comp, 1/4W, 5% |
| 422. | R 374 | 4-00033-404 | 100M | Resistor, Carbon Comp, 1/4W, 5% |
| 423. | R 375 | 4-00033-404 | 100M | Resistor, Carbon Comp, 1/4W, 5% |
| 424. | R 376 | 4-00033-404 | 100M | Resistor, Carbon Comp, 1/4W, 5% |
| 425. | R 377 | 4-00187-407 | 4.53K | Resistor, Metal Film, 1/8W, 1%, 50PPM |
| 426. | R 378 | 4-00045-401 | 2.0K | Resistor, Carbon Film, 1/4W, 5% |
| 427. | R 401 | 4-00217-408 | 1.000K | Resistor, Metal Film, 1/8W, 0.1%, 25ppm |
| 428. | R 402 | 4-00217-408 | 1.000K | Resistor, Metal Film, 1/8W, 0.1%, 25ppm |
| 429. | R 403 | 4-00085-401 | 5.1M | Resistor, Carbon Film, 1/4W, 5% |
| 430. | R 404 | 4-00217-408 | 1.000K | Resistor, Metal Film, 1/8W, 0.1%, 25ppm |
| 431. | R 405 | 4-00217-408 | 1.000K | Resistor, Metal Film, 1/8W, 0.1%, 25ppm |
| 432. | R 406 | 4-00193-407 | 499 | Resistor, Metal Film, 1/8W, 1%, 50PPM |
| 433. | R 407 | 4-00130-407 | 1.00K | Resistor, Metal Film, 1/8W, 1%, 50PPM |
| 434. | R 408 | 4-00131-407 | 1.00M | Resistor, Metal Film, 1/8W, 1%, 50PPM |
| 435. | R 409 | 4-00022-401 | 1.0M | Resistor, Carbon Film, 1/4W, 5% |
| 436. | R 410 | 4-00217-408 | 1.000K | Resistor, Metal Film, 1/8W, 0.1%, 25ppm |
| 437. | R 411 | 4-00193-407 | 499 | Resistor, Metal Film, 1/8W, 1%, 50PPM |
| 438. | R 412 | 4-00217-408 | 1.000K | Resistor, Metal Film, 1/8W, 0.1%, 25ppm |
| 439. | R 413 | 4-00203-407 | 75.0K | Resistor, Metal Film, 1/8W, 1%, 50PPM |
| 440. | R 414 | 4-00080-401 | 47 | Resistor, Carbon Film, 1/4W, 5% |
| 441. | R 415 | 4-00142-407 | 100K | Resistor, Metal Film, 1/8W, 1%, 50PPM |
| 442. | R 417 | 4-00034-401 | 10K | Resistor, Carbon Film, 1/4W, 5% |
| 443. | R 418 | 4-00132-407 | 1.10K | Resistor, Metal Film, 1/8W, 1%, 50PPM |
| 444. | R 419 | 4-00179-407 | 30.1K | Resistor, Metal Film, 1/8W, 1%, 50PPM |
| 445. | R 420 | 4-00183-407 | 348K | Resistor, Metal Film, 1/8W, 1%, 50PPM |
| 446. | R 421 | 4-00155-407 | 150K | Resistor, Metal Film, 1/8W, 1%, 50PPM |
| 447. | R 422 | 4-00184-407 | 37.4K | Resistor, Metal Film, 1/8W, 1%, 50PPM |
| 448. | R 423 | 4-00212-407 | 9.76K | Resistor, Metal Film, 1/8W, 1%, 50PPM |
| 449. | R 424 | 4-00161-407 | 2.49K | Resistor, Metal Film, 1/8W, 1%, 50PPM |
| 450. | R 425 | 4-00021-401 | 1.0K | Resistor, Carbon Film, 1/4W, 5% |
| 451. | R 426 | 4-00045-401 | 2.0K | Resistor, Carbon Film, 1/4W, 5% |
| 452. | R 427 | 4-00131-407 | 1.00M | Resistor, Metal Film, 1/8W, 1%, 50PPM |
| 453. | R 428 | 4-00131-407 | 1.00M | Resistor, Metal Film, 1/8W, 1%, 50PPM |
| 454. | R 429 | 4-00146-407 | 110K | Resistor, Metal Film, 1/8W, 1%, 50PPM |
| 455. | R 430 | 4-00140-407 | 10.2K | Resistor, Metal Film, 1/8W, 1%, 50PPM |
| 456. | R 431 | 4-00032-401 | 100K | Resistor, Carbon Film, 1/4W, 5% |
| 457. | R 432 | 4-00021-401 | 1.0K | Resistor, Carbon Film, 1/4W, 5% |

SR510 PARTS LIST

| <u>NO</u> | <u>REF.</u> | <u>SRS part#</u> | <u>VALUE</u> | <u>DESCRIPTION</u> |
|-----------|-------------|------------------|--------------|---|
| 458. | R 433 | 4-00021-401 | 1.0K | Resistor, Carbon Film, 1/4W, 5% |
| 459. | R 501 | 4-00022-401 | 1.0M | Resistor, Carbon Film, 1/4W, 5% |
| 460. | R 502 | 4-00022-401 | 1.0M | Resistor, Carbon Film, 1/4W, 5% |
| 461. | R 503 | 4-00022-401 | 1.0M | Resistor, Carbon Film, 1/4W, 5% |
| 462. | R 504 | 4-00022-401 | 1.0M | Resistor, Carbon Film, 1/4W, 5% |
| 463. | R 505 | 4-00034-401 | 10K | Resistor, Carbon Film, 1/4W, 5% |
| 464. | R 506 | 4-00034-401 | 10K | Resistor, Carbon Film, 1/4W, 5% |
| 465. | R 507 | 4-00034-401 | 10K | Resistor, Carbon Film, 1/4W, 5% |
| 466. | R 508 | 4-00034-401 | 10K | Resistor, Carbon Film, 1/4W, 5% |
| 467. | R 509 | 4-00218-408 | 10.00K | Resistor, Metal Film, 1/8W, 0.1%, 25ppm |
| 468. | R 510 | 4-00219-408 | 20.00K | Resistor, Metal Film, 1/8W, 0.1%, 25ppm |
| 469. | R 511 | 4-00218-408 | 10.00K | Resistor, Metal Film, 1/8W, 0.1%, 25ppm |
| 470. | R 512 | 4-00219-408 | 20.00K | Resistor, Metal Film, 1/8W, 0.1%, 25ppm |
| 471. | R 513 | 4-00166-407 | 200K | Resistor, Metal Film, 1/8W, 1%, 50PPM |
| 472. | R 514 | 4-00207-407 | 806K | Resistor, Metal Film, 1/8W, 1%, 50PPM |
| 473. | R 515 | 4-00021-401 | 1.0K | Resistor, Carbon Film, 1/4W, 5% |
| 474. | R 516 | 4-00021-401 | 1.0K | Resistor, Carbon Film, 1/4W, 5% |
| 475. | R 518 | 4-00034-401 | 10K | Resistor, Carbon Film, 1/4W, 5% |
| 476. | R 519 | 4-00021-401 | 1.0K | Resistor, Carbon Film, 1/4W, 5% |
| 477. | R 520 | 4-00086-401 | 51 | Resistor, Carbon Film, 1/4W, 5% |
| 478. | R 521 | 4-00086-401 | 51 | Resistor, Carbon Film, 1/4W, 5% |
| 479. | R 522 | 4-00218-408 | 10.00K | Resistor, Metal Film, 1/8W, 0.1%, 25ppm |
| 480. | R 523 | 4-00218-408 | 10.00K | Resistor, Metal Film, 1/8W, 0.1%, 25ppm |
| 481. | R 524 | 4-00078-401 | 39K | Resistor, Carbon Film, 1/4W, 5% |
| 482. | R 525 | 4-00059-401 | 22K | Resistor, Carbon Film, 1/4W, 5% |
| 483. | R 526 | 4-00032-401 | 100K | Resistor, Carbon Film, 1/4W, 5% |
| 484. | R 527 | 4-00021-401 | 1.0K | Resistor, Carbon Film, 1/4W, 5% |
| 485. | R 528 | 4-00034-401 | 10K | Resistor, Carbon Film, 1/4W, 5% |
| 486. | R 529 | 4-00057-401 | 220 | Resistor, Carbon Film, 1/4W, 5% |
| 487. | R 530 | 4-00210-407 | 9.09K | Resistor, Metal Film, 1/8W, 1%, 50PPM |
| 488. | R 531 | 4-00130-407 | 1.00K | Resistor, Metal Film, 1/8W, 1%, 50PPM |
| 489. | R 532 | 4-00032-401 | 100K | Resistor, Carbon Film, 1/4W, 5% |
| 490. | R 533 | 4-00032-401 | 100K | Resistor, Carbon Film, 1/4W, 5% |
| 491. | R 534 | 4-00034-401 | 10K | Resistor, Carbon Film, 1/4W, 5% |
| 492. | R 535 | 4-00057-401 | 220 | Resistor, Carbon Film, 1/4W, 5% |
| 493. | R 536 | 4-00034-401 | 10K | Resistor, Carbon Film, 1/4W, 5% |
| 494. | R 537 | 4-00057-401 | 220 | Resistor, Carbon Film, 1/4W, 5% |
| 495. | R 538 | 4-00034-401 | 10K | Resistor, Carbon Film, 1/4W, 5% |
| 496. | R 539 | 4-00057-401 | 220 | Resistor, Carbon Film, 1/4W, 5% |
| 497. | R 540 | 4-00034-401 | 10K | Resistor, Carbon Film, 1/4W, 5% |
| 498. | R 541 | 4-00057-401 | 220 | Resistor, Carbon Film, 1/4W, 5% |
| 499. | R 542 | 4-00034-401 | 10K | Resistor, Carbon Film, 1/4W, 5% |
| 500. | R 543 | 4-00034-401 | 10K | Resistor, Carbon Film, 1/4W, 5% |
| 501. | R 544 | 4-00042-401 | 15K | Resistor, Carbon Film, 1/4W, 5% |
| 502. | R 545 | 4-00034-401 | 10K | Resistor, Carbon Film, 1/4W, 5% |
| 503. | R 546 | 4-00034-401 | 10K | Resistor, Carbon Film, 1/4W, 5% |
| 504. | R 547 | 4-00042-401 | 15K | Resistor, Carbon Film, 1/4W, 5% |
| 505. | R 548 | 4-00054-401 | 200K | Resistor, Carbon Film, 1/4W, 5% |
| 506. | R 549 | 4-00032-401 | 100K | Resistor, Carbon Film, 1/4W, 5% |
| 507. | R 701 | 4-00031-401 | 100 | Resistor, Carbon Film, 1/4W, 5% |
| 508. | R 702 | 4-00079-401 | 4.7K | Resistor, Carbon Film, 1/4W, 5% |

SR510 PARTS LIST

| <u>NO</u> | <u>REF.</u> | <u>SRS part#</u> | <u>VALUE</u> | <u>DESCRIPTION</u> |
|-----------|-------------|------------------|----------------|--|
| 509. | R 703 | 4-00027-401 | 1.5K | Resistor, Carbon Film, 1/4W, 5% |
| 510. | R 705 | 4-00021-401 | 1.0K | Resistor, Carbon Film, 1/4W, 5% |
| 511. | R 706 | 4-00034-401 | 10K | Resistor, Carbon Film, 1/4W, 5% |
| 512. | R 707 | 4-00034-401 | 10K | Resistor, Carbon Film, 1/4W, 5% |
| 513. | R 708 | 4-00069-401 | 300K | Resistor, Carbon Film, 1/4W, 5% |
| 514. | R 709 | 4-00034-401 | 10K | Resistor, Carbon Film, 1/4W, 5% |
| 515. | R 710 | 4-00032-401 | 100K | Resistor, Carbon Film, 1/4W, 5% |
| 516. | R 711 | 4-00034-401 | 10K | Resistor, Carbon Film, 1/4W, 5% |
| 517. | R 712 | 4-00032-401 | 100K | Resistor, Carbon Film, 1/4W, 5% |
| 518. | R 801 | 4-00034-401 | 10K | Resistor, Carbon Film, 1/4W, 5% |
| 519. | R 802 | 4-00034-401 | 10K | Resistor, Carbon Film, 1/4W, 5% |
| 520. | R 803 | 4-00065-401 | 3.3K | Resistor, Carbon Film, 1/4W, 5% |
| 521. | R 901 | 4-00107-402 | 10 | Resistor, Carbon Comp, 1/2W, 5% |
| 522. | R 902 | 4-00107-402 | 10 | Resistor, Carbon Comp, 1/2W, 5% |
| 523. | R 903 | 4-00060-401 | 240 | Resistor, Carbon Film, 1/4W, 5% |
| 524. | R 904 | 4-00024-401 | 1.2K | Resistor, Carbon Film, 1/4W, 5% |
| 525. | R 905 | 4-00024-401 | 1.2K | Resistor, Carbon Film, 1/4W, 5% |
| 526. | R 906 | 4-00060-401 | 240 | Resistor, Carbon Film, 1/4W, 5% |
| 527. | R 907 | 4-00107-402 | 10 | Resistor, Carbon Comp, 1/2W, 5% |
| 528. | R 908 | 4-00107-402 | 10 | Resistor, Carbon Comp, 1/2W, 5% |
| 529. | R 909 | 4-00053-401 | 200 | Resistor, Carbon Film, 1/4W, 5% |
| 530. | R 910 | 4-00063-401 | 3.0K | Resistor, Carbon Film, 1/4W, 5% |
| 531. | R 911 | 4-00063-401 | 3.0K | Resistor, Carbon Film, 1/4W, 5% |
| 532. | R 912 | 4-00053-401 | 200 | Resistor, Carbon Film, 1/4W, 5% |
| 533. | R 913 | 4-00107-402 | 10 | Resistor, Carbon Comp, 1/2W, 5% |
| 534. | R 914 | 4-00107-402 | 10 | Resistor, Carbon Comp, 1/2W, 5% |
| 535. | RN401 | 4-00220-420 | 10KX8 | Resistor Network, DIP, 1/4W,2%,8 Ind |
| 536. | RN801 | 4-00225-425 | 100KX9 | Resistor Network SIP 1/4W 2% (Common) |
| 537. | RN802 | 4-00225-425 | 100KX9 | Resistor Network SIP 1/4W 2% (Common) |
| 538. | SO702 | 1-00026-150 | 28 PIN 600 MIL | Socket, THRU-HOLE |
| 539. | SW1 | 2-00014-207 | SPSTX8 | Switch, DIP |
| 540. | SW2 | 2-00014-207 | SPSTX8 | Switch, DIP |
| 541. | SW601 | 2-00017-216 | 4PDT | Switch, Rocker, PCB Mount (LHS of 510) |
| 542. | SW602 | 2-00004-213 | DPDT | Switch, Rocker, PCB Mount (RHS of 510) |
| 543. | T 1 | 6-00007-610 | SR510/530 | Transformer |
| 544. | U 101 | 8-00085-860 | SR513 ASSY | SRS sub assemblies |
| 545. | U 102 | 8-00085-860 | SR513 ASSY | SRS sub assemblies |
| 546. | U 103 | 3-00076-340 | DG211 | Integrated Circuit (Thru-hole Pkg) |
| 547. | U 104 | 3-00118-325 | 78L15 | Transistor, TO-92 Package |
| 548. | U 105 | 3-00124-325 | 79L15 | Transistor, TO-92 Package |
| 549. | U 106 | 3-00076-340 | DG211 | Integrated Circuit (Thru-hole Pkg) |
| 550. | U 107 | 3-00130-340 | 5532A | Integrated Circuit (Thru-hole Pkg) |
| 551. | U 108 | 3-00076-340 | DG211 | Integrated Circuit (Thru-hole Pkg) |
| 552. | U 109 | 3-00088-340 | LF353 | Integrated Circuit (Thru-hole Pkg) |
| 553. | U 110 | 3-00076-340 | DG211 | Integrated Circuit (Thru-hole Pkg) |
| 554. | U 111 | 3-00089-340 | LF357 | Integrated Circuit (Thru-hole Pkg) |
| 555. | U 112 | 3-00076-340 | DG211 | Integrated Circuit (Thru-hole Pkg) |
| 556. | U 113 | 3-00089-340 | LF357 | Integrated Circuit (Thru-hole Pkg) |
| 557. | U 114 | 3-00076-340 | DG211 | Integrated Circuit (Thru-hole Pkg) |
| 558. | U 115 | 3-00089-340 | LF357 | Integrated Circuit (Thru-hole Pkg) |
| 559. | U 117 | 3-00088-340 | LF353 | Integrated Circuit (Thru-hole Pkg) |

SR510 PARTS LIST

| <u>NO</u> | <u>REF.</u> | <u>SRS part#</u> | <u>VALUE</u> | <u>DESCRIPTION</u> |
|-----------|-------------|------------------|--------------|------------------------------------|
| 560. | U 118 | 3-00130-340 | 5532A | Integrated Circuit (Thru-hole Pkg) |
| 561. | U 201 | 3-00087-340 | LF347 | Integrated Circuit (Thru-hole Pkg) |
| 562. | U 202 | 3-00093-340 | LM13600 | Integrated Circuit (Thru-hole Pkg) |
| 563. | U 203 | 3-00073-340 | CD4052 | Integrated Circuit (Thru-hole Pkg) |
| 564. | U 204 | 3-00073-340 | CD4052 | Integrated Circuit (Thru-hole Pkg) |
| 565. | U 205 | 3-00076-340 | DG211 | Integrated Circuit (Thru-hole Pkg) |
| 566. | U 206 | 3-00038-340 | 74HC139 | Integrated Circuit (Thru-hole Pkg) |
| 567. | U 207 | 3-00038-340 | 74HC139 | Integrated Circuit (Thru-hole Pkg) |
| 568. | U 208 | 3-00087-340 | LF347 | Integrated Circuit (Thru-hole Pkg) |
| 569. | U 301 | 3-00088-340 | LF353 | Integrated Circuit (Thru-hole Pkg) |
| 570. | U 303 | 3-00076-340 | DG211 | Integrated Circuit (Thru-hole Pkg) |
| 571. | U 304 | 3-00094-340 | LM311 | Integrated Circuit (Thru-hole Pkg) |
| 572. | U 305 | 3-00075-340 | CD4538 | Integrated Circuit (Thru-hole Pkg) |
| 573. | U 306 | 3-00072-340 | CD4046 | Integrated Circuit (Thru-hole Pkg) |
| 574. | U 307 | 3-00093-340 | LM13600 | Integrated Circuit (Thru-hole Pkg) |
| 575. | U 308 | 3-00066-340 | CA3140E | Integrated Circuit (Thru-hole Pkg) |
| 576. | U 309 | 3-00093-340 | LM13600 | Integrated Circuit (Thru-hole Pkg) |
| 577. | U 310 | 3-00076-340 | DG211 | Integrated Circuit (Thru-hole Pkg) |
| 578. | U 311 | 3-00076-340 | DG211 | Integrated Circuit (Thru-hole Pkg) |
| 579. | U 312 | 3-00076-340 | DG211 | Integrated Circuit (Thru-hole Pkg) |
| 580. | U 313 | 3-00049-340 | 74HC74 | Integrated Circuit (Thru-hole Pkg) |
| 581. | U 314 | 3-00094-340 | LM311 | Integrated Circuit (Thru-hole Pkg) |
| 582. | U 315 | 3-00094-340 | LM311 | Integrated Circuit (Thru-hole Pkg) |
| 583. | U 316 | 3-00072-340 | CD4046 | Integrated Circuit (Thru-hole Pkg) |
| 584. | U 317 | 3-00093-340 | LM13600 | Integrated Circuit (Thru-hole Pkg) |
| 585. | U 318 | 3-00076-340 | DG211 | Integrated Circuit (Thru-hole Pkg) |
| 586. | U 319 | 3-00066-340 | CA3140E | Integrated Circuit (Thru-hole Pkg) |
| 587. | U 320 | 3-00076-340 | DG211 | Integrated Circuit (Thru-hole Pkg) |
| 588. | U 321 | 3-00066-340 | CA3140E | Integrated Circuit (Thru-hole Pkg) |
| 589. | U 322 | 3-00093-340 | LM13600 | Integrated Circuit (Thru-hole Pkg) |
| 590. | U 323 | 3-00093-340 | LM13600 | Integrated Circuit (Thru-hole Pkg) |
| 591. | U 324 | 3-00094-340 | LM311 | Integrated Circuit (Thru-hole Pkg) |
| 592. | U 325 | 3-00091-340 | LF412 | Integrated Circuit (Thru-hole Pkg) |
| 593. | U 326 | 3-00068-340 | CD4018 | Integrated Circuit (Thru-hole Pkg) |
| 594. | U 327 | 3-00076-340 | DG211 | Integrated Circuit (Thru-hole Pkg) |
| 595. | U 328 | 3-00094-340 | LM311 | Integrated Circuit (Thru-hole Pkg) |
| 596. | U 329 | 3-00094-340 | LM311 | Integrated Circuit (Thru-hole Pkg) |
| 597. | U 401 | 3-00076-340 | DG211 | Integrated Circuit (Thru-hole Pkg) |
| 598. | U 402 | 3-00091-340 | LF412 | Integrated Circuit (Thru-hole Pkg) |
| 599. | U 403 | 3-00090-340 | LF411 | Integrated Circuit (Thru-hole Pkg) |
| 600. | U 404 | 3-00106-340 | LT1007 | Integrated Circuit (Thru-hole Pkg) |
| 601. | U 405 | 3-00074-340 | CD4066 | Integrated Circuit (Thru-hole Pkg) |
| 602. | U 406 | 3-00057-340 | AD534 | Integrated Circuit (Thru-hole Pkg) |
| 603. | U 407 | 3-00090-340 | LF411 | Integrated Circuit (Thru-hole Pkg) |
| 604. | U 408 | 3-00106-340 | LT1007 | Integrated Circuit (Thru-hole Pkg) |
| 605. | U 409 | 3-00090-340 | LF411 | Integrated Circuit (Thru-hole Pkg) |
| 606. | U 410 | 3-00084-340 | ICL7650 | Integrated Circuit (Thru-hole Pkg) |
| 607. | U 411 | 3-00126-335 | 51A05 | Relay |
| 608. | U 412 | 3-00126-335 | 51A05 | Relay |
| 609. | U 413 | 3-00126-335 | 51A05 | Relay |
| 610. | U 414 | 3-00126-335 | 51A05 | Relay |

SR510 PARTS LIST

| <u>NO</u> | <u>REF.</u> | <u>SRS part#</u> | <u>VALUE</u> | <u>DESCRIPTION</u> |
|-----------|-------------|------------------|--------------|------------------------------------|
| 611. | U 415 | 3-00126-335 | 51A05 | Relay |
| 612. | U 416 | 3-00084-340 | ICL7650 | Integrated Circuit (Thru-hole Pkg) |
| 613. | U 417 | 3-00126-335 | 51A05 | Relay |
| 614. | U 418 | 3-00076-340 | DG211 | Integrated Circuit (Thru-hole Pkg) |
| 615. | U 419 | 3-00090-340 | LF411 | Integrated Circuit (Thru-hole Pkg) |
| 616. | U 420 | 3-00064-340 | CA3081 | Integrated Circuit (Thru-hole Pkg) |
| 617. | U 421 | 3-00035-340 | 74C74 | Integrated Circuit (Thru-hole Pkg) |
| 618. | U 501 | 3-00087-340 | LF347 | Integrated Circuit (Thru-hole Pkg) |
| 619. | U 502 | 3-00058-340 | AD7524 | Integrated Circuit (Thru-hole Pkg) |
| 620. | U 503 | 3-00046-340 | 74HC374 | Integrated Circuit (Thru-hole Pkg) |
| 621. | U 504 | 3-00077-340 | DG528 | Integrated Circuit (Thru-hole Pkg) |
| 622. | U 505 | 3-00059-340 | AD7542JN | Integrated Circuit (Thru-hole Pkg) |
| 623. | U 506 | 3-00058-340 | AD7524 | Integrated Circuit (Thru-hole Pkg) |
| 624. | U 507 | 3-00077-340 | DG528 | Integrated Circuit (Thru-hole Pkg) |
| 625. | U 508 | 3-00087-340 | LF347 | Integrated Circuit (Thru-hole Pkg) |
| 626. | U 509 | 3-00076-340 | DG211 | Integrated Circuit (Thru-hole Pkg) |
| 627. | U 510 | 3-00076-340 | DG211 | Integrated Circuit (Thru-hole Pkg) |
| 628. | U 511 | 3-00087-340 | LF347 | Integrated Circuit (Thru-hole Pkg) |
| 629. | U 512 | 3-00087-340 | LF347 | Integrated Circuit (Thru-hole Pkg) |
| 630. | U 513 | 3-00087-340 | LF347 | Integrated Circuit (Thru-hole Pkg) |
| 631. | U 514 | 3-00094-340 | LM311 | Integrated Circuit (Thru-hole Pkg) |
| 632. | U 515 | 3-00087-340 | LF347 | Integrated Circuit (Thru-hole Pkg) |
| 633. | U 516 | 3-00076-340 | DG211 | Integrated Circuit (Thru-hole Pkg) |
| 634. | U 517 | 3-00092-340 | LH0071 | Integrated Circuit (Thru-hole Pkg) |
| 635. | U 701 | 3-00132-340 | Z80A-CPU | Integrated Circuit (Thru-hole Pkg) |
| 636. | U 703 | 3-00081-341 | 2KX8-100 | STATIC RAM, I.C. |
| 637. | U 704 | 3-00491-340 | UPD71054C | Integrated Circuit (Thru-hole Pkg) |
| 638. | U 705 | 3-00037-340 | 74HC138 | Integrated Circuit (Thru-hole Pkg) |
| 639. | U 706 | 3-00037-340 | 74HC138 | Integrated Circuit (Thru-hole Pkg) |
| 640. | U 707 | 3-00037-340 | 74HC138 | Integrated Circuit (Thru-hole Pkg) |
| 641. | U 708 | 3-00040-340 | 74HC157 | Integrated Circuit (Thru-hole Pkg) |
| 642. | U 709 | 3-00049-340 | 74HC74 | Integrated Circuit (Thru-hole Pkg) |
| 643. | U 710 | 3-00045-340 | 74HC32 | Integrated Circuit (Thru-hole Pkg) |
| 644. | U 711 | 3-00051-340 | 74HCU04 | Integrated Circuit (Thru-hole Pkg) |
| 645. | U 712 | 3-00047-340 | 74HC4040 | Integrated Circuit (Thru-hole Pkg) |
| 646. | U 713 | 3-00049-340 | 74HC74 | Integrated Circuit (Thru-hole Pkg) |
| 647. | U 714 | 3-00042-340 | 74HC175 | Integrated Circuit (Thru-hole Pkg) |
| 648. | U 715 | 3-00042-340 | 74HC175 | Integrated Circuit (Thru-hole Pkg) |
| 649. | U 716 | 3-00044-340 | 74HC244 | Integrated Circuit (Thru-hole Pkg) |
| 650. | U 717 | 3-00046-340 | 74HC374 | Integrated Circuit (Thru-hole Pkg) |
| 651. | U 718 | 3-00039-340 | 74HC14 | Integrated Circuit (Thru-hole Pkg) |
| 652. | U 719 | 3-00046-340 | 74HC374 | Integrated Circuit (Thru-hole Pkg) |
| 653. | U 720 | 3-00046-340 | 74HC374 | Integrated Circuit (Thru-hole Pkg) |
| 654. | U 721 | 3-00046-340 | 74HC374 | Integrated Circuit (Thru-hole Pkg) |
| 655. | U 722 | 3-00045-340 | 74HC32 | Integrated Circuit (Thru-hole Pkg) |
| 656. | U 801 | 3-00493-340 | UPD71051C | Integrated Circuit (Thru-hole Pkg) |
| 657. | U 802 | 3-00111-340 | MC68488 | Integrated Circuit (Thru-hole Pkg) |
| 658. | U 803 | 3-00044-340 | 74HC244 | Integrated Circuit (Thru-hole Pkg) |
| 659. | U 804 | 3-00044-340 | 74HC244 | Integrated Circuit (Thru-hole Pkg) |
| 660. | U 805 | 3-00049-340 | 74HC74 | Integrated Circuit (Thru-hole Pkg) |
| 661. | U 806 | 3-00109-340 | MC1488 | Integrated Circuit (Thru-hole Pkg) |

SR510 PARTS LIST

| <u>No</u> | <u>REF.</u> | <u>SRS part#</u> | <u>VALUE</u> | <u>DESCRIPTION</u> |
|-----------|-------------|------------------|---------------|---|
| 662. | U 807 | 3-00110-340 | MC1489 | Integrated Circuit (Thru-hole Pkg) |
| 663. | U 808 | 3-00078-340 | DS75160A | Integrated Circuit (Thru-hole Pkg) |
| 664. | U 809 | 3-00117-325 | 78L12 | Transistor, TO-92 Package |
| 665. | U 810 | 3-00123-325 | 79L12 | Transistor, TO-92 Package |
| 666. | U 811 | 3-00079-340 | DS75161A | Integrated Circuit (Thru-hole Pkg) |
| 667. | U 901 | 3-00095-331 | LM317K | Voltage Regulator, TO-3 Metal Can |
| 668. | U 902 | 3-00099-331 | LM337K | Voltage Regulator, TO-3 Metal Can |
| 669. | U 903 | 3-00114-329 | 7815 | Voltage Reg., TO-220 (TAB) Package |
| 670. | U 904 | 3-00114-329 | 7815 | Voltage Reg., TO-220 (TAB) Package |
| 671. | U 905 | 3-00114-329 | 7815 | Voltage Reg., TO-220 (TAB) Package |
| 672. | U 906 | 3-00120-329 | 7915 | Voltage Reg., TO-220 (TAB) Package |
| 673. | U 907 | 3-00120-329 | 7915 | Voltage Reg., TO-220 (TAB) Package |
| 674. | U 908 | 3-00120-329 | 7915 | Voltage Reg., TO-220 (TAB) Package |
| 675. | U 909 | 3-00113-340 | 7805CK | Integrated Circuit (Thru-hole Pkg) |
| 676. | U 910 | 3-00116-325 | 78L05 | Transistor, TO-92 Package |
| 677. | U 911 | 3-00096-340 | LM317L | Integrated Circuit (Thru-hole Pkg) |
| 678. | U 912 | 3-00100-340 | LM337L | Integrated Circuit (Thru-hole Pkg) |
| 679. | Z 0 | 0-00004-007 | SR510 | Heat Sinks |
| 680. | Z 0 | 0-00014-002 | 6J4 | Power_Entry Hardware |
| 681. | Z 0 | 0-00016-000 | TIE ANCHOR | Hardware, Misc. |
| 682. | Z 0 | 0-00017-002 | TRANSCOVER | Power_Entry Hardware |
| 683. | Z 0 | 0-00019-003 | MICA | Insulators |
| 684. | Z 0 | 0-00025-005 | 3/8" | Lugs |
| 685. | Z 0 | 0-00043-011 | 4-40 KEP | Nut, Kep |
| 686. | Z 0 | 0-00048-011 | 6-32 KEP | Nut, Kep |
| 687. | Z 0 | 0-00064-027 | 6-20X5/8P | Screw, Sheet Metal |
| 688. | Z 0 | 0-00079-031 | 4-40X3/16 M/F | Standoff |
| 689. | Z 0 | 0-00084-032 | 36154 | Termination |
| 690. | Z 0 | 0-00089-033 | 4" | Tie |
| 691. | Z 0 | 0-00095-040 | #4 FLAT | Washer, Flat |
| 692. | Z 0 | 0-00096-041 | #4 SPLIT | Washer, Split |
| 693. | Z 0 | 0-00114-050 | 10-1/8"#18 | Wire #18 UL1007 Stripped 3/8x3/8 No Tin |
| 694. | Z 0 | 0-00117-053 | 12" #24 | Wire #24 UL1007 Strip 1/4x1/4 Tin |
| 695. | Z 0 | 0-00130-050 | 5-5/8" #18 | Wire #18 UL1007 Stripped 3/8x3/8 No Tin |
| 696. | Z 0 | 0-00132-053 | 6-1/2" #24 | Wire #24 UL1007 Strip 1/4x1/4 Tin |
| 697. | Z 0 | 0-00135-050 | 7-5/8" #18 | Wire #18 UL1007 Stripped 3/8x3/8 No Tin |
| 698. | Z 0 | 0-00136-053 | 8-1/2" #24 | Wire #24 UL1007 Strip 1/4x1/4 Tin |
| 699. | Z 0 | 0-00153-057 | GROMMET2 | Grommet |
| 700. | Z 0 | 0-00185-021 | 6-32X3/8PP | Screw, Panhead Phillips |
| 701. | Z 0 | 0-00187-021 | 4-40X1/4PP | Screw, Panhead Phillips |
| 702. | Z 0 | 0-00207-003 | TO-5 | Insulators |
| 703. | Z 0 | 0-00222-021 | 6-32X1/4PP | Screw, Panhead Phillips |
| 704. | Z 0 | 0-00225-052 | 17" #22 BLACK | Wire #22 UL1007 |
| 705. | Z 0 | 0-00226-052 | 17" #22 WHITE | Wire #22 UL1007 |
| 706. | Z 0 | 0-00227-052 | 17" #22 RED | Wire #22 UL1007 |
| 707. | Z 0 | 0-00228-052 | 17" #22 GREEN | Wire #22 UL1007 |
| 708. | Z 0 | 0-00231-043 | #4 SHOULDER | Washer, nylon |
| 709. | Z 0 | 0-00233-000 | HANDLE1 | Hardware, Misc. |
| 710. | Z 0 | 0-00241-021 | 4-40X3/16PP | Screw, Panhead Phillips |
| 711. | Z 0 | 0-00249-021 | 6-32X1-1/2PP | Screw, Panhead Phillips |
| 712. | Z 0 | 0-00256-043 | #6 SHOULDER | Washer, nylon |

SR510 PARTS LIST

| <u>NO</u> | <u>REF.</u> | <u>SRS part#</u> | <u>VALUE</u> | <u>DESCRIPTION</u> |
|-----------|-------------|------------------|---------------|---|
| 713. | Z 0 | 0-00371-026 | 4-40X3/16PF | Screw, Black, All Types |
| 714. | Z 0 | 0-00500-000 | 554808-1 | Hardware, Misc. |
| 715. | Z 0 | 0-00521-048 | 3" #18 | Wire, #18 UL1015 Strip 3/8 x 3/8 No Tin |
| 716. | Z 0 | 0-00526-048 | 10-1/2" #18 | Wire, #18 UL1015 Strip 3/8 x 3/8 No Tin |
| 717. | Z 0 | 0-00893-026 | 8-32X3/8PF | Screw, Black, All Types |
| 718. | Z 0 | 1-00003-120 | BNC | Connector, BNC |
| 719. | Z 0 | 1-00010-130 | 20 PIN ELH | Connector, Male |
| 720. | Z 0 | 1-00029-150 | TO-3 | Socket, THRU-HOLE |
| 721. | Z 0 | 1-00053-172 | USA | Line Cord |
| 722. | Z 0 | 7-00197-720 | SR510-20 | Fabricated Part |
| 723. | Z 0 | 7-00201-720 | SR500-32 | Fabricated Part |
| 724. | Z 0 | 7-00202-720 | SR500-33 | Fabricated Part |
| 725. | Z 0 | 7-00205-720 | SR510-26 | Fabricated Part |
| 726. | Z 0 | 9-00188-917 | SR510/530 SER | Product Labels |
| 727. | Z 0 | 9-00215-907 | 1/16" BLACK | Shrink Tubing |
| 728. | Z 0 | 9-00216-907 | 1/8" BLACK | Shrink Tubing |
| 729. | Z 0 | 9-00217-907 | 3/16" BLACK | Shrink Tubing |

Internal Oscillator PCB Parts List

| <u>NO</u> | <u>REF.</u> | <u>SRS part#</u> | <u>VALUE</u> | <u>DESCRIPTION</u> |
|-----------|-------------|------------------|--------------|---|
| 1. | C 1 | 5-00023-529 | .1U | Cap, Monolythic Ceramic, 50V, 20%, Z5U |
| 2. | C 2 | 5-00023-529 | .1U | Cap, Monolythic Ceramic, 50V, 20%, Z5U |
| 3. | C 3 | 5-00102-517 | 4.7U | Capacitor, Tantalum, 35V, 20%, Rad |
| 4. | C 4 | 5-00054-512 | .047U | Cap, Stacked Metal Film 50V 5% -40/+85c |
| 5. | C 5 | 5-00087-516 | 390P | Capacitor, Silver Mica, 500V, 5%, DM15 |
| 6. | C 6 | 5-00102-517 | 4.7U | Capacitor, Tantalum, 35V, 20%, Rad |
| 7. | C 7 | 5-00014-501 | 390P | Capacitor, Ceramic Disc, 50V, 10%, SL |
| 8. | C 8 | 5-00034-526 | 100U | Capacitor, Electrolytic, 35V, 20%, Rad |
| 9. | C 9 | 5-00100-517 | 2.2U | Capacitor, Tantalum, 35V, 20%, Rad |
| 10. | C 10 | 5-00034-526 | 100U | Capacitor, Electrolytic, 35V, 20%, Rad |
| 11. | C 11 | 5-00100-517 | 2.2U | Capacitor, Tantalum, 35V, 20%, Rad |
| 12. | P 1 | 4-00016-445 | 10K | Pot, Multi-Turn, Side Adjust |
| 13. | P 2 | 4-00003-440 | 100K | Trim Pot, Single Turn, In-Line Leads |
| 14. | P 3 | 4-00016-445 | 10K | Pot, Multi-Turn, Side Adjust |
| 15. | PC1 | 7-00037-701 | SR501 | Printed Circuit Board |
| 16. | R 1 | 4-00079-401 | 4.7K | Resistor, Carbon Film, 1/4W, 5% |
| 17. | R 2 | 4-00083-401 | 47K | Resistor, Carbon Film, 1/4W, 5% |
| 18. | R 3 | 4-00202-407 | 698 | Resistor, Metal Film, 1/8W, 1%, 50PPM |
| 19. | R 4 | 4-00189-407 | 41.2K | Resistor, Metal Film, 1/8W, 1%, 50PPM |
| 20. | R 5 | 4-00186-407 | 4.22K | Resistor, Metal Film, 1/8W, 1%, 50PPM |
| 21. | R 6 | 4-00190-407 | 42.2K | Resistor, Metal Film, 1/8W, 1%, 50PPM |
| 22. | R 7 | 4-00186-407 | 4.22K | Resistor, Metal Film, 1/8W, 1%, 50PPM |
| 23. | R 8 | 4-00202-407 | 698 | Resistor, Metal Film, 1/8W, 1%, 50PPM |
| 24. | R 9 | 4-00078-401 | 39K | Resistor, Carbon Film, 1/4W, 5% |
| 25. | R 10 | 4-00186-407 | 4.22K | Resistor, Metal Film, 1/8W, 1%, 50PPM |
| 26. | R 11 | 4-00022-401 | 1.0M | Resistor, Carbon Film, 1/4W, 5% |
| 27. | R 12 | 4-00042-401 | 15K | Resistor, Carbon Film, 1/4W, 5% |
| 28. | R 13 | 4-00070-401 | 30K | Resistor, Carbon Film, 1/4W, 5% |
| 29. | R 14 | 4-00034-401 | 10K | Resistor, Carbon Film, 1/4W, 5% |

SR510 PARTS LIST

| <u>NO</u> | <u>REF.</u> | <u>SRS part#</u> | <u>VALUE</u> | <u>DESCRIPTION</u> |
|-----------|-------------|------------------|--------------|---------------------------------------|
| 30. | R 15 | 4-00022-401 | 1.0M | Resistor, Carbon Film, 1/4W, 5% |
| 31. | R 16 | 4-00079-401 | 4.7K | Resistor, Carbon Film, 1/4W, 5% |
| 32. | R 17 | 4-00104-401 | 82K | Resistor, Carbon Film, 1/4W, 5% |
| 33. | R 18 | 4-00034-401 | 10K | Resistor, Carbon Film, 1/4W, 5% |
| 34. | R 19 | 4-00034-401 | 10K | Resistor, Carbon Film, 1/4W, 5% |
| 35. | R 20 | 4-00188-407 | 4.99K | Resistor, Metal Film, 1/8W, 1%, 50PPM |
| 36. | R 21 | 4-00188-407 | 4.99K | Resistor, Metal Film, 1/8W, 1%, 50PPM |
| 37. | R 22 | 4-00022-401 | 1.0M | Resistor, Carbon Film, 1/4W, 5% |
| 38. | R 23 | 4-00022-401 | 1.0M | Resistor, Carbon Film, 1/4W, 5% |
| 39. | R 24 | 4-00031-401 | 100 | Resistor, Carbon Film, 1/4W, 5% |
| 40. | R 25 | 4-00031-401 | 100 | Resistor, Carbon Film, 1/4W, 5% |
| 41. | SW1 | 2-00013-215 | DPDT | Switch, Toggle Right Angle PCB Mount |
| 42. | SW2 | 2-00013-215 | DPDT | Switch, Toggle Right Angle PCB Mount |
| 43. | U 1 | 3-00087-340 | LF347 | Integrated Circuit (Thru-hole Pkg) |
| 44. | U 2 | 3-00085-340 | ICL8038 | Integrated Circuit (Thru-hole Pkg) |
| 45. | U 3 | 3-00118-325 | 78L15 | Transistor, TO-92 Package |
| 46. | U 4 | 3-00124-325 | 79L15 | Transistor, TO-92 Package |
| 47. | Z 0 | 0-00100-040 | 1/4X1/16 | Washer, Flat |
| 48. | Z 0 | 0-00122-053 | 2-1/4" #24 | Wire #24 UL1007 Strip 1/4x1/4 Tin |
| 49. | Z 0 | 0-00136-053 | 8-1/2" #24 | Wire #24 UL1007 Strip 1/4x1/4 Tin |

Miscellaneous Parts List

| <u>NO</u> | <u>REF.</u> | <u>SRS part#</u> | <u>VALUE</u> | <u>DESCRIPTION</u> |
|-----------|-------------|------------------|-----------------|---------------------------|
| 1. | Z 0 | 7-00204-720 | SR500-35 | Fabricated Part |
| 2. | U 702 | 3-00161-342 | 27128-150 | EPROM/PROM, I.C. |
| 3. | Z 0 | 0-00045-013 | 4-40 MINI | Nut, Mini |
| 4. | Z 0 | 0-00078-031 | 4-40X1 M/F | Standoff |
| 5. | Z 0 | 0-00167-023 | 6-32X1/2RP | Screw, Roundhead Phillips |
| 6. | Z 0 | 0-00179-000 | RIGHT FOOT | Hardware, Misc. |
| 7. | Z 0 | 0-00180-000 | LEFT FOOT | Hardware, Misc. |
| 8. | Z 0 | 0-00185-021 | 6-32X3/8PP | Screw, Panhead Phillips |
| 9. | Z 0 | 0-00187-021 | 4-40X1/4PP | Screw, Panhead Phillips |
| 10. | Z 0 | 0-00204-000 | REAR FOOT | Hardware, Misc. |
| 11. | Z 0 | 0-00209-021 | 4-40X3/8PP | Screw, Panhead Phillips |
| 12. | Z 0 | 0-00247-026 | 6-32X1/4 TRUSSP | Screw, Black, All Types |
| 13. | Z 0 | 0-00248-026 | 10-32X3/8TRUSSP | Screw, Black, All Types |
| 14. | Z 0 | 0-00371-026 | 4-40X3/16PF | Screw, Black, All Types |
| 15. | Z 0 | 6-00054-611 | .375A 3AG | Fuse |
| 16. | Z 0 | 7-00147-720 | BAIL | Fabricated Part |
| 17. | Z 0 | 7-00198-720 | SR510-23 | Fabricated Part |
| 18. | Z 0 | 7-00199-720 | SR510-24 | Fabricated Part |
| 19. | Z 0 | 7-00200-720 | SR510-25 | Fabricated Part |
| 20. | Z 0 | 7-00203-720 | SR500-34 | Fabricated Part |

SR510 PARTS LIST

Front Panel Parts List

| <u>NO</u> | <u>REF.</u> | <u>SRS part#</u> | <u>VALUE</u> | <u>DESCRIPTION</u> |
|-----------|-------------|------------------|--------------|---|
| 1. | C 601 | 5-00019-501 | 68P | Capacitor, Ceramic Disc, 50V, 10%, SL |
| 2. | C 602 | 5-00019-501 | 68P | Capacitor, Ceramic Disc, 50V, 10%, SL |
| 3. | C 603 | 5-00052-512 | .01U | Cap, Stacked Metal Film 50V 5% -40/+85c |
| 4. | C 604 | 5-00052-512 | .01U | Cap, Stacked Metal Film 50V 5% -40/+85c |
| 5. | C 605 | 5-00056-512 | .1U | Cap, Stacked Metal Film 50V 5% -40/+85c |
| 6. | C 606 | 5-00056-512 | .1U | Cap, Stacked Metal Film 50V 5% -40/+85c |
| 7. | C 607 | 5-00023-529 | .1U | Cap, Monolythic Ceramic, 50V, 20%, Z5U |
| 8. | D 601 | 3-00004-301 | 1N4148 | Diode |
| 9. | D 602 | 3-00004-301 | 1N4148 | Diode |
| 10. | D 603 | 3-00004-301 | 1N4148 | Diode |
| 11. | D 604 | 3-00004-301 | 1N4148 | Diode |
| 12. | DS601 | 3-00012-306 | GREEN | LED, Rectangular |
| 13. | DS602 | 3-00012-306 | GREEN | LED, Rectangular |
| 14. | DS603 | 3-00012-306 | GREEN | LED, Rectangular |
| 15. | DS604 | 3-00012-306 | GREEN | LED, Rectangular |
| 16. | DS605 | 3-00012-306 | GREEN | LED, Rectangular |
| 17. | DS606 | 3-00012-306 | GREEN | LED, Rectangular |
| 18. | DS607 | 3-00012-306 | GREEN | LED, Rectangular |
| 19. | DS608 | 3-00012-306 | GREEN | LED, Rectangular |
| 20. | DS609 | 3-00012-306 | GREEN | LED, Rectangular |
| 21. | DS610 | 3-00012-306 | GREEN | LED, Rectangular |
| 22. | DS611 | 3-00012-306 | GREEN | LED, Rectangular |
| 23. | DS612 | 3-00012-306 | GREEN | LED, Rectangular |
| 24. | DS613 | 3-00012-306 | GREEN | LED, Rectangular |
| 25. | DS614 | 3-00012-306 | GREEN | LED, Rectangular |
| 26. | DS615 | 3-00012-306 | GREEN | LED, Rectangular |
| 27. | DS616 | 3-00012-306 | GREEN | LED, Rectangular |
| 28. | DS617 | 3-00012-306 | GREEN | LED, Rectangular |
| 29. | DS618 | 3-00012-306 | GREEN | LED, Rectangular |
| 30. | DS619 | 3-00012-306 | GREEN | LED, Rectangular |
| 31. | DS620 | 3-00012-306 | GREEN | LED, Rectangular |
| 32. | DS621 | 3-00012-306 | GREEN | LED, Rectangular |
| 33. | DS622 | 3-00012-306 | GREEN | LED, Rectangular |
| 34. | DS623 | 3-00012-306 | GREEN | LED, Rectangular |
| 35. | DS624 | 3-00012-306 | GREEN | LED, Rectangular |
| 36. | DS625 | 3-00012-306 | GREEN | LED, Rectangular |
| 37. | DS626 | 3-00012-306 | GREEN | LED, Rectangular |
| 38. | DS627 | 3-00012-306 | GREEN | LED, Rectangular |
| 39. | DS628 | 3-00012-306 | GREEN | LED, Rectangular |
| 40. | DS629 | 3-00012-306 | GREEN | LED, Rectangular |
| 41. | DS630 | 3-00012-306 | GREEN | LED, Rectangular |
| 42. | DS631 | 3-00012-306 | GREEN | LED, Rectangular |
| 43. | DS632 | 3-00012-306 | GREEN | LED, Rectangular |
| 44. | DS633 | 3-00012-306 | GREEN | LED, Rectangular |
| 45. | DS634 | 3-00012-306 | GREEN | LED, Rectangular |
| 46. | DS635 | 3-00012-306 | GREEN | LED, Rectangular |
| 47. | DS636 | 3-00012-306 | GREEN | LED, Rectangular |
| 48. | DS637 | 3-00012-306 | GREEN | LED, Rectangular |
| 49. | DS638 | 3-00013-306 | RED | LED, Rectangular |

SR510 PARTS LIST

| <u>NO</u> | <u>REF.</u> | <u>SRS part#</u> | <u>VALUE</u> | <u>DESCRIPTION</u> |
|-----------|-------------|------------------|--------------|-------------------------------|
| 50. | DS639 | 3-00013-306 | RED | LED, Rectangular |
| 51. | DS640 | 3-00013-306 | RED | LED, Rectangular |
| 52. | DS641 | 3-00012-306 | GREEN | LED, Rectangular |
| 53. | DS642 | 3-00012-306 | GREEN | LED, Rectangular |
| 54. | DS643 | 3-00012-306 | GREEN | LED, Rectangular |
| 55. | DS644 | 3-00012-306 | GREEN | LED, Rectangular |
| 56. | DS645 | 3-00012-306 | GREEN | LED, Rectangular |
| 57. | DS646 | 3-00012-306 | GREEN | LED, Rectangular |
| 58. | DS647 | 3-00012-306 | GREEN | LED, Rectangular |
| 59. | DS648 | 3-00012-306 | GREEN | LED, Rectangular |
| 60. | DS649 | 3-00012-306 | GREEN | LED, Rectangular |
| 61. | DS650 | 3-00012-306 | GREEN | LED, Rectangular |
| 62. | DS651 | 3-00012-306 | GREEN | LED, Rectangular |
| 63. | DS652 | 3-00012-306 | GREEN | LED, Rectangular |
| 64. | DS653 | 3-00012-306 | GREEN | LED, Rectangular |
| 65. | DS654 | 3-00012-306 | GREEN | LED, Rectangular |
| 66. | DS655 | 3-00012-306 | GREEN | LED, Rectangular |
| 67. | DS656 | 3-00012-306 | GREEN | LED, Rectangular |
| 68. | DS657 | 3-00012-306 | GREEN | LED, Rectangular |
| 69. | DS658 | 3-00012-306 | GREEN | LED, Rectangular |
| 70. | DS659 | 3-00012-306 | GREEN | LED, Rectangular |
| 71. | DS660 | 3-00012-306 | GREEN | LED, Rectangular |
| 72. | DS661 | 3-00012-306 | GREEN | LED, Rectangular |
| 73. | DS662 | 3-00012-306 | GREEN | LED, Rectangular |
| 74. | LD1 | 8-00001-820 | FE0206 | LCD Display |
| 75. | LD2 | 8-00001-820 | FE0206 | LCD Display |
| 76. | M 1 | 8-00002-801 | #DIV/0! | Analog Meter |
| 77. | PB601 | 2-00001-201 | D6-01-01 | Switch, Momentary Push Button |
| 78. | PB602 | 2-00001-201 | D6-01-01 | Switch, Momentary Push Button |
| 79. | PB603 | 2-00001-201 | D6-01-01 | Switch, Momentary Push Button |
| 80. | PB604 | 2-00001-201 | D6-01-01 | Switch, Momentary Push Button |
| 81. | PB605 | 2-00001-201 | D6-01-01 | Switch, Momentary Push Button |
| 82. | PB606 | 2-00001-201 | D6-01-01 | Switch, Momentary Push Button |
| 83. | PB607 | 2-00001-201 | D6-01-01 | Switch, Momentary Push Button |
| 84. | PB608 | 2-00001-201 | D6-01-01 | Switch, Momentary Push Button |
| 85. | PB609 | 2-00001-201 | D6-01-01 | Switch, Momentary Push Button |
| 86. | PB610 | 2-00001-201 | D6-01-01 | Switch, Momentary Push Button |
| 87. | PB611 | 2-00001-201 | D6-01-01 | Switch, Momentary Push Button |
| 88. | PB612 | 2-00001-201 | D6-01-01 | Switch, Momentary Push Button |
| 89. | PB613 | 2-00001-201 | D6-01-01 | Switch, Momentary Push Button |
| 90. | PB614 | 2-00001-201 | D6-01-01 | Switch, Momentary Push Button |
| 91. | PB615 | 2-00001-201 | D6-01-01 | Switch, Momentary Push Button |
| 92. | PB616 | 2-00001-201 | D6-01-01 | Switch, Momentary Push Button |
| 93. | PB617 | 2-00001-201 | D6-01-01 | Switch, Momentary Push Button |
| 94. | PB618 | 2-00001-201 | D6-01-01 | Switch, Momentary Push Button |
| 95. | PB619 | 2-00001-201 | D6-01-01 | Switch, Momentary Push Button |
| 96. | PB620 | 2-00001-201 | D6-01-01 | Switch, Momentary Push Button |
| 97. | PB621 | 2-00001-201 | D6-01-01 | Switch, Momentary Push Button |
| 98. | PB622 | 2-00001-201 | D6-01-01 | Switch, Momentary Push Button |
| 99. | PB623 | 2-00001-201 | D6-01-01 | Switch, Momentary Push Button |
| 100. | PB624 | 2-00001-201 | D6-01-01 | Switch, Momentary Push Button |

SR510 PARTS LIST

| <u>NO</u> | <u>REF.</u> | <u>SRS part#</u> | <u>VALUE</u> | <u>DESCRIPTION</u> |
|-----------|-------------|------------------|-----------------|---------------------------------------|
| 101. | PB625 | 2-00001-201 | D6-01-01 | Switch, Momentary Push Button |
| 102. | PC1 | 7-00038-701 | SR511 | Printed Circuit Board |
| 103. | R 601 | 4-00034-401 | 10K | Resistor, Carbon Film, 1/4W, 5% |
| 104. | R 602 | 4-00034-401 | 10K | Resistor, Carbon Film, 1/4W, 5% |
| 105. | RN601 | 4-00223-425 | 22KX7 | Resistor Network SIP 1/4W 2% (Common) |
| 106. | RN602 | 4-00226-425 | 150X9 | Resistor Network SIP 1/4W 2% (Common) |
| 107. | RN603 | 4-00226-425 | 150X9 | Resistor Network SIP 1/4W 2% (Common) |
| 108. | RN604 | 4-00221-425 | 150X5 | Resistor Network SIP 1/4W 2% (Common) |
| 109. | U 601 | 3-00086-340 | ICM7211AM | Integrated Circuit (Thru-hole Pkg) |
| 110. | U 602 | 3-00086-340 | ICM7211AM | Integrated Circuit (Thru-hole Pkg) |
| 111. | U 603 | 3-00044-340 | 74HC244 | Integrated Circuit (Thru-hole Pkg) |
| 112. | U 604 | 3-00046-340 | 74HC374 | Integrated Circuit (Thru-hole Pkg) |
| 113. | U 605 | 3-00071-340 | CD4030 | Integrated Circuit (Thru-hole Pkg) |
| 114. | U 606 | 3-00071-340 | CD4030 | Integrated Circuit (Thru-hole Pkg) |
| 115. | U 607 | 3-00053-340 | 74LS164 | Integrated Circuit (Thru-hole Pkg) |
| 116. | U 608 | 3-00053-340 | 74LS164 | Integrated Circuit (Thru-hole Pkg) |
| 117. | U 609 | 3-00053-340 | 74LS164 | Integrated Circuit (Thru-hole Pkg) |
| 118. | U 610 | 3-00053-340 | 74LS164 | Integrated Circuit (Thru-hole Pkg) |
| 119. | U 611 | 3-00053-340 | 74LS164 | Integrated Circuit (Thru-hole Pkg) |
| 120. | U 612 | 3-00053-340 | 74LS164 | Integrated Circuit (Thru-hole Pkg) |
| 121. | U 613 | 3-00053-340 | 74LS164 | Integrated Circuit (Thru-hole Pkg) |
| 122. | U 614 | 3-00053-340 | 74LS164 | Integrated Circuit (Thru-hole Pkg) |
| 123. | Z 0 | 0-00042-010 | 4-40 HEX | Nut, Hex |
| 124. | Z 0 | 0-00077-030 | 3/16"X5/16"NYLN | Spacer |
| 125. | Z 0 | 0-00102-042 | #10 LOCK | Washer, lock |
| 126. | Z 0 | 0-00104-043 | #4 NYLON | Washer, nylon |
| 127. | Z 0 | 0-00106-044 | CLEAR | Window |
| 128. | Z 0 | 0-00111-053 | 1-3/4"#24B | Wire #24 UL1007 Strip 1/4x1/4 Tin |
| 129. | Z 0 | 0-00112-053 | 1-3/4"#24R | Wire #24 UL1007 Strip 1/4x1/4 Tin |
| 130. | Z 0 | 0-00117-053 | 12" #24 | Wire #24 UL1007 Strip 1/4x1/4 Tin |
| 131. | Z 0 | 0-00128-053 | 4" #24 | Wire #24 UL1007 Strip 1/4x1/4 Tin |
| 132. | Z 0 | 0-00129-053 | 5" #24 | Wire #24 UL1007 Strip 1/4x1/4 Tin |
| 133. | Z 0 | 0-00132-053 | 6-1/2" #24 | Wire #24 UL1007 Strip 1/4x1/4 Tin |
| 134. | Z 0 | 0-00139-054 | 9" #26 X20 | Wire #26 UL1061 |
| 135. | Z 0 | 0-00203-032 | 323914 | Termination |
| 136. | Z 0 | 1-00011-130 | 20 PIN IDP | Connector, Male |
| 137. | Z 0 | 1-00073-120 | INSL | Connector, BNC |
| 138. | Z 0 | 1-00145-131 | 20 PIN DIF POL | Connector, Female |
| 139. | Z 0 | 7-00294-710 | SR510-27 | Front Panel |
| 140. | Z 0 | 7-00308-709 | SR510 | Lexan Overlay |
| 141. | Z 0 | 9-00554-913 | INDIRECT, MFG | MISC. EXPENSE ITEMS - QUICK FIX! |
| 142. | Z 0 | 9-00815-924 | DBL-SIDED 1/2" | Tape, All types |